

C W F I B E R L A S E R

CW-200MM-A

en | Data sheet | 1.0

- Extra compact and lightweight design
- Customizable fiber cores and lengths
- No additional cooling required
- Outstanding energy efficiency



Wavelength	1080 nm
Nominal output power	200 W
Laser operation mode	CW, modulated
Beam parameter product (BPP)	1.719 mm*mrad ^[1]
Fiber core diameter	50 µm ^[2]
Modulation frequency	1 Hz – 4 kHz
Power instability Ø	2%
Power tuning range	10 – 100%
Polarization	Random
Fiber length	20 m ^[3]

Cooling method	Air
Aiming beam	Standard
Output type	QBH / QCS
Supply voltage DC	48 V
Current consumption	16.67 A
Power consumption @ 20°C	800 W
Operation temperature	0 – 40 °C
Storage temperature	-10 – 60 °C
Mechanical dimensions (W × D × H)	340 × 265 × 100 mm
Net weight	8.9 kg

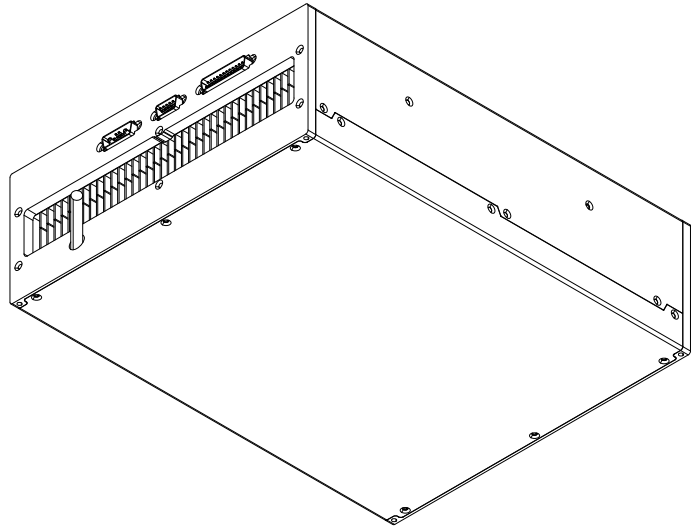
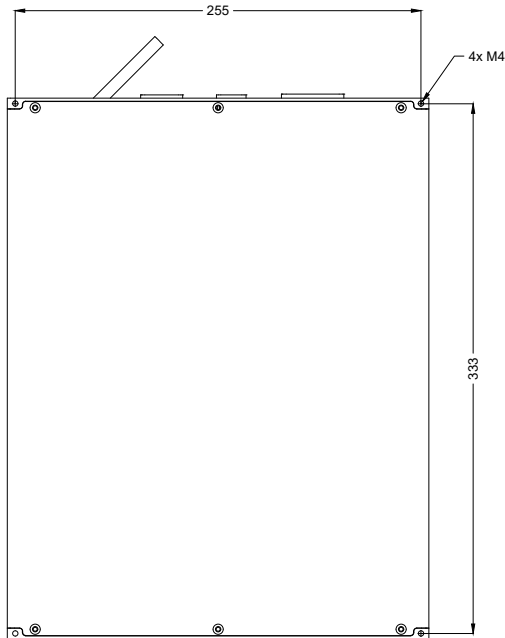
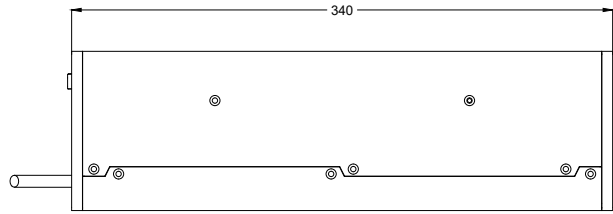
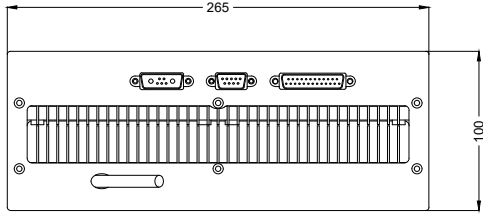
Product customizations are possible on request.

^[1] Depending on fiber core diameter

^[2] Other available fiber core diameters: 100 µm / 150 µm / 200 µm

^[3] Other available fiber lengths: 25 m





Laser product
Class 4

JPT

Manufacturer

CW fiber laser

CW-200MM-A

Dimensions are given in millimeters and are intended as reference values.
Binding information is available on request.

