

C W F I B E R L A S E R

CW-600MM-A

en | Data sheet | 1.0

- Extra compact and lightweight design
- Customizable fiber cores and lengths
- No additional cooling required
- Outstanding energy efficiency



Wavelength	1080 nm	Cooling method	Air
Nominal output power	600 W	Aiming beam	Standard
Laser operation mode	CW, modulated	Output type	QBH
Beam parameter product (BPP)	0.7 mm*mrad ^[1]	Supply voltage DC	54 V
Fiber core diameter	50 µm ^[2]	Current consumption	37 A
Modulation frequency	1 Hz – 10 kHz	Power consumption @ 20°C	2 kW
Power instability Ø	2%	Operation temperature	10 – 90 °C
Power tuning range	10 – 100 %	Storage temperature	-20 – 50 °C
Polarization	Random	Mechanical dimensions (W × D × H)	383 × 365 × 122 mm
Fiber length	20 m ^[3]	Net weight	15.5 kg

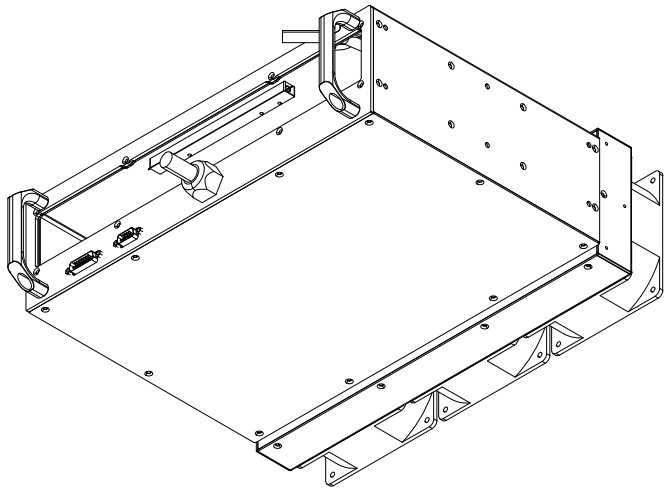
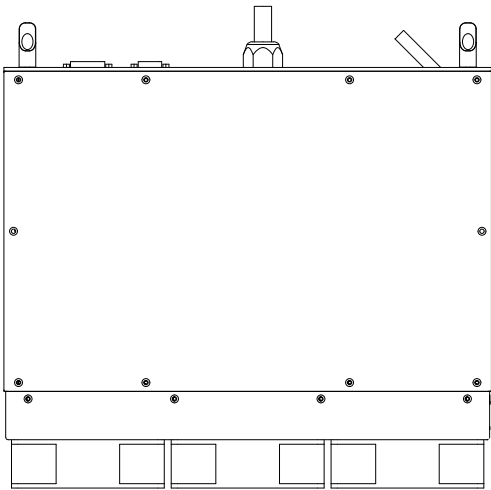
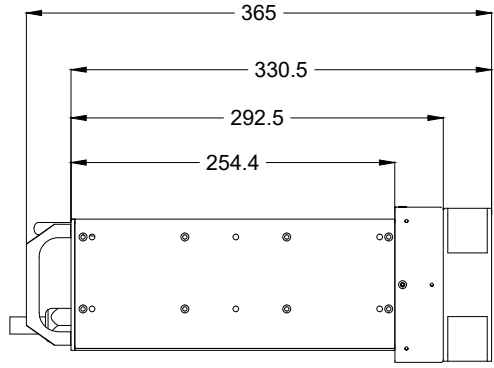
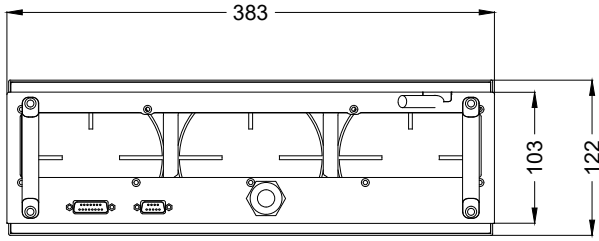
Product customizations are possible on request.

^[1] Depending on fiber core diameter

^[2] Other available fiber core diameters: 100 µm / 150 µm

^[3] Other available fiber lengths: 25 m





Laser product
Class 4



Manufacturer

CW fiber laser

CW-600MM-A

Dimensions are given in millimeters and are intended as reference values.
Binding information is available on request.

