

C W F I B E R L A S E R

# CW-800MM-A

en | Data sheet | 1.0

- Extra compact and lightweight design
- Customizable fiber cores and lengths
- No additional cooling required
- Outstanding energy efficiency



Wavelength	1080 nm
Nominal output power	800 W
Laser operation mode	CW, modulated
Beam parameter product (BPP)	0.7 mm*mrad <sup>[1]</sup>
Fiber core diameter	50 µm <sup>[2]</sup>
Modulation frequency	1 Hz – 10 kHz
Power instability Ø	2%
Power tuning range	10 – 100 %
Polarization	Random
Fiber length	20 m <sup>[3]</sup>

Cooling method	Air
Aiming beam	Standard
Output type	QBH
Supply voltage DC	80 V
Current consumption	37.5 A
Power consumption @ 20°C	3 kW
Operation temperature	10 – 90 °C
Storage temperature	-20 – 50 °C
Mechanical dimensions (W × D × H)	383 × 365 × 122 mm
Net weight	15.5 kg

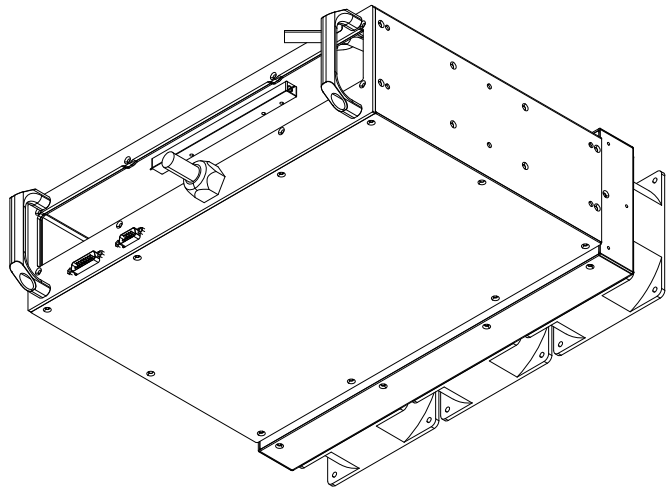
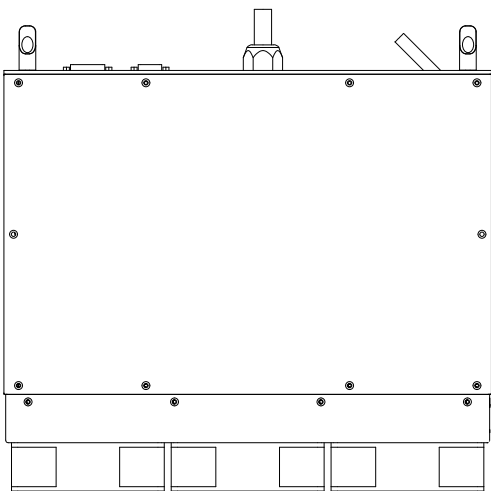
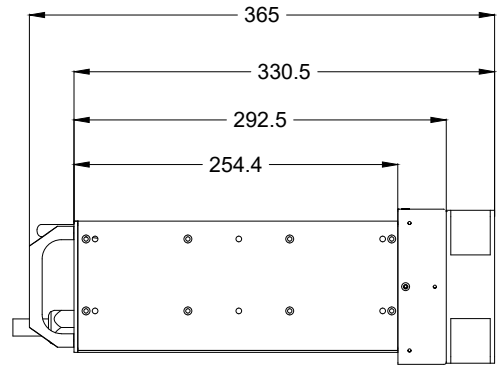
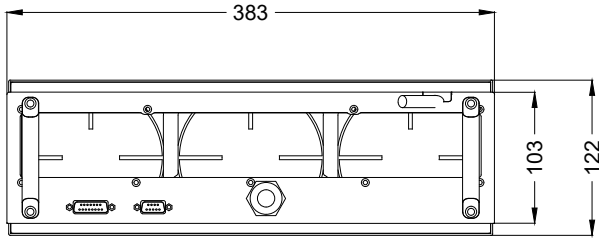
Product customizations are possible on request.

<sup>[1]</sup> Depending on fiber core diameter

<sup>[2]</sup> Other available fiber core diameters: 100 µm / 150 µm

<sup>[3]</sup> Other available fiber lengths: 25 m





Laser product  
Class 4

## JPT

Manufacturer

CW fiber laser

CW-800MM-A

Dimensions are given in millimeters and are intended as reference values.  
Binding information is available on request.

