

C W F I B E R L A S E R

# CW-15000MM-G

en | Data sheet | 1.1.1

- Multi-mode fiber core 100 to 600  $\mu\text{m}$
- Robust design for industrial use
- Application specific customizations
- Outstanding cost-effectiveness



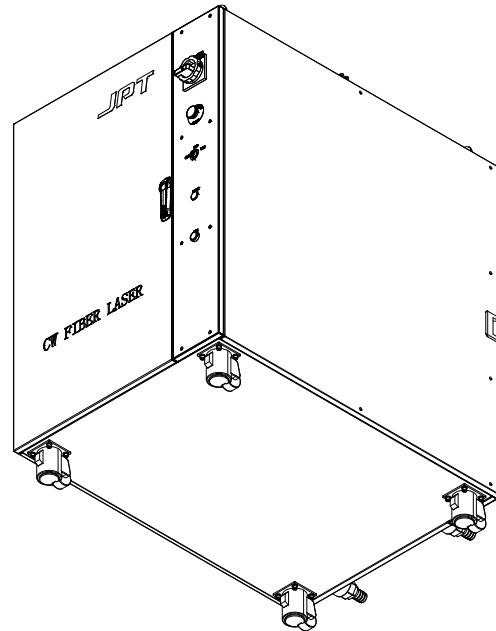
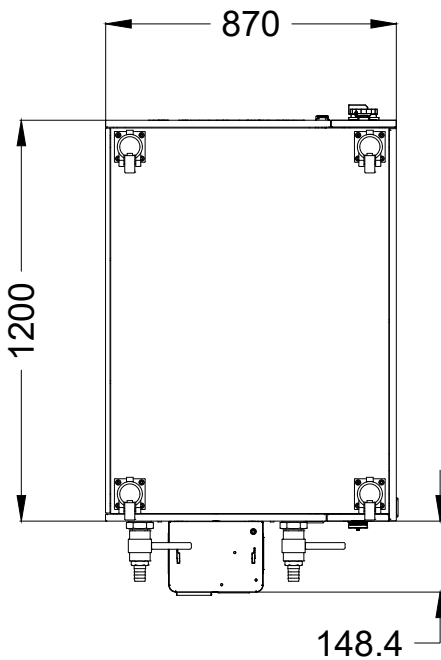
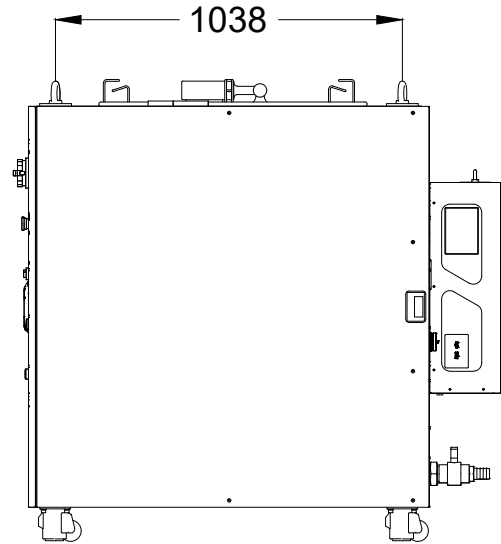
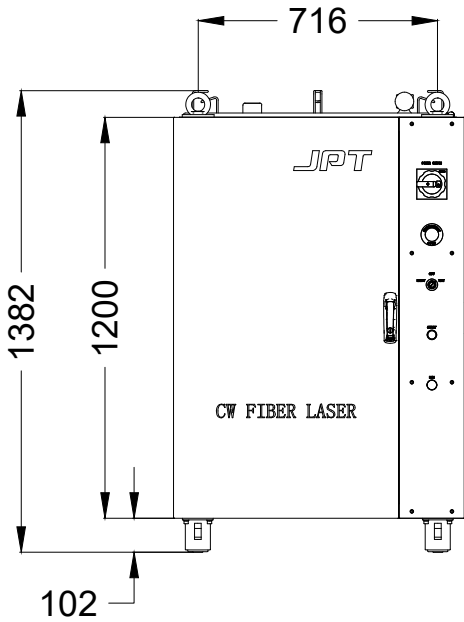
Wavelength	1080 nm	Cooling method	Water
Nominal output power	15000 W	Cooling flowrate	128 l/min
Laser operation mode	CW, modulated	Cooling power	45 kW
Beam parameter product (BPP)	3.5 mm*mrad	Output type	QBH
Fiber core diameter	100 $\mu\text{m}$ <sup>[1]</sup>	Supply voltage AC	380 V
Modulation frequency	1 – 20 kHz	Power consumption @ 20°C	45000 W
Power instability $\varnothing$	2%	Operation temperature	0 – 40 °C
Power tuning range	10 – 100%	Storage temperature	-10 – 60 °C
Polarization	Random	Mechanical dimensions (W × D × H)	1200 × 870 × 1382 mm
Fiber length	20 m <sup>[2]</sup>	Net weight	770 kg

Product customizations are possible on request.

<sup>[1]</sup> Other available fiber core diameters: 150  $\mu\text{m}$  / 200  $\mu\text{m}$  / 400  $\mu\text{m}$  / 600  $\mu\text{m}$

<sup>[2]</sup> Other available fiber lengths: 25 m / 30 m





Laser product  
Class 4

## JPT

Manufacturer

CW fiber laser

CW-15000MM-G

Dimensions are given in millimeters and are intended as reference values.  
Binding information is available on request.

