

C W F I B E R L A S E R

CW-1500MM-L

en | Data sheet | 1.0.2

- Multi-mode fiber core 50, 100, 150 μm
- CW operation, modulation up to 20 kHz
- Compact and lightweight < 22 kg
- Outstanding cost-effectiveness

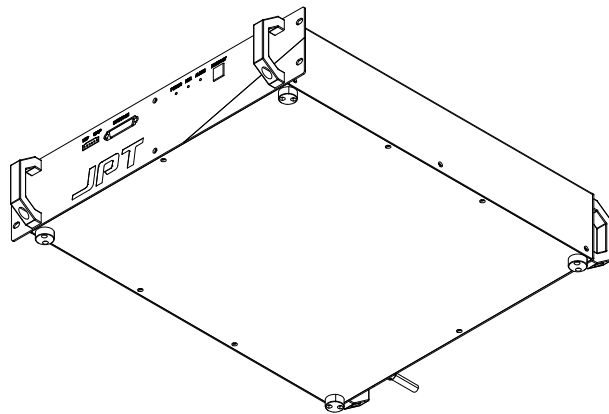
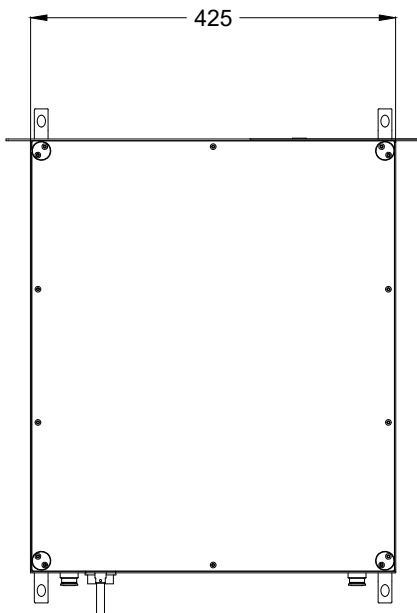
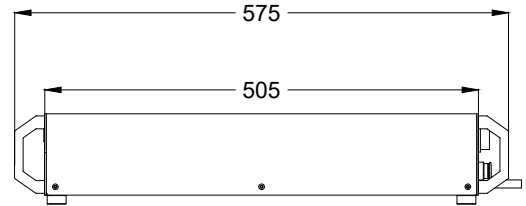
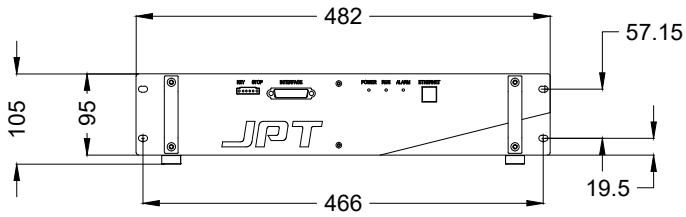


Wavelength	1080 nm	Cooling method	Water
Nominal output power (CW)	1500 W	Cooling flowrate	12 l/min
Laser operation mode	CW, modulated	Cooling power	4.5 kW
Beam parameter product (BPP)	1.3 mm*mrad	Aiming beam	Standard
Fiber core diameter	50 μm ^[1]	Output type	QBH
Modulation frequency	1 – 20 kHz	Supply voltage AC	220 V
Power instability \emptyset	2%	Current consumption	20.45 A
Power tuning range	10 – 100%	Power consumption @ 20°C	4500 W
Polarization	Random	Operation temperature	10 – 40 °C
Fiber length	25 m	Storage temperature	-10 – 50 °C
		Mechanical dimensions (W x D x H)	482 x 575 x 105 mm
		Net weight	21 kg

Product customizations are possible on request.

^[1] Other available fiber core diameters: 100 μm / 150 μm





Laser product
Class 4

JPT

Manufacturer

CW fiber laser

CW-1500MM-L

Dimensions are given in millimeters and are intended as reference values.
Binding information is available on request.

