

C W F I B E R L A S E R

CW-2000MM-L

en | Data sheet | 1.0.2

- Multi-mode fiber core 50, 100, 150 μm
- CW operation, modulation up to 20 kHz
- Compact and lightweight < 32 kg
- Outstanding cost-effectiveness

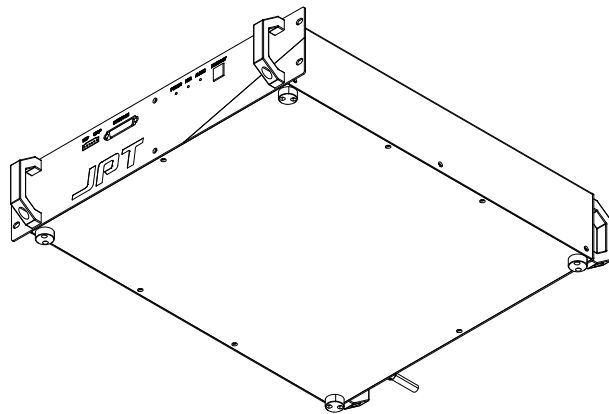
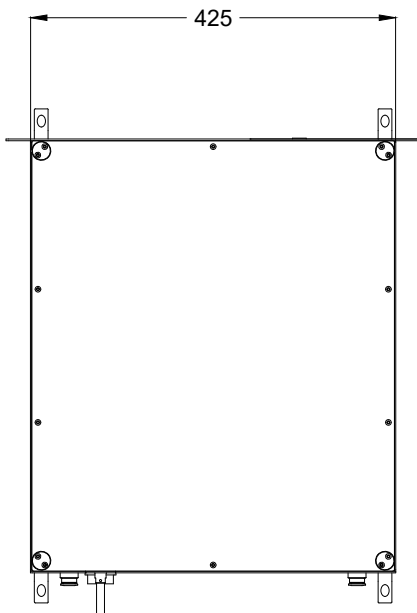
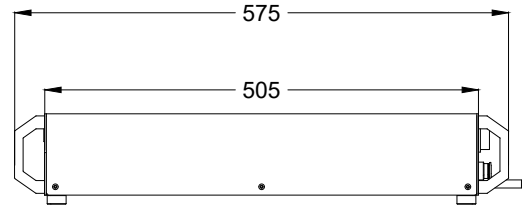
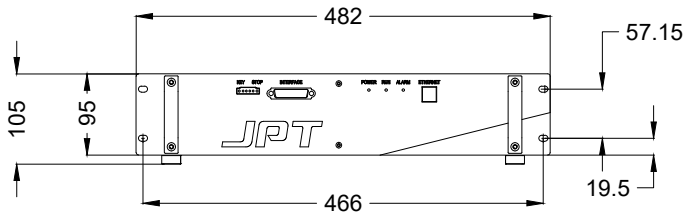


Wavelength	1080 nm	Cooling flowrate	15 l/min
Nominal output power (CW)	2000 W	Cooling power	6 kW
Laser operation mode	CW, modulated	Aiming beam	Standard
Beam parameter product (BPP)	1.3 mm*mrad	Output type	QBH
Fiber core diameter	50 μm ^[1]	Supply voltage AC	220 V
Modulation frequency	1 – 20 kHz	Current consumption	27.27 A
Power instability \emptyset	2%	Power consumption @ 20°C	6000 W
Power tuning range	10 – 100%	Operation temperature	10 – 40 °C
Polarization	Random	Storage temperature	-10 – 50 °C
Fiber length	25 m	Mechanical dimensions (W × D × H)	482 × 575 × 105 mm
Cooling method	Water	Net weight	31 kg

Product customizations are possible on request.

^[1] Other available fiber core diameters: 100 μm / 150 μm





Laser product
Class 4

JPT

Manufacturer

CW fiber laser

CW-2000MM-L

Dimensions are given in millimeters and are intended as reference values.
Binding information is available on request.

