

C W F I B E R L A S E R

CW-200MM

en | Data sheet | 1.3

- Multi-mode fiber core 50 to 600 μm
- Compact design in 19-inch format
- CW operation, modulation up to 20 kHz
- Outstanding cost-effectiveness



Wavelength	1080 nm
Nominal output power	200 W
Laser operation mode	CW, modulated
Beam parameter product (BPP)	0.7 mm*mrad ^[1]
Fiber core diameter	50 μm ^[2]
Modulation frequency	1 – 200 kHz
Power instability \varnothing	1%
Power tuning range	10 – 100%
Polarization	Random
Fiber length	5 m ^[3]

Cooling method	Air
Aiming beam	Standard
Output type	QBH / QCS
Supply voltage DC	48 V
Power consumption @ 20°C	800 W
Operation temperature	0 – 40 °C
Storage temperature	-10 – 60 °C
Mechanical dimensions (W × D × H)	347 × 483 × 133 mm
Net weight	22.5 kg

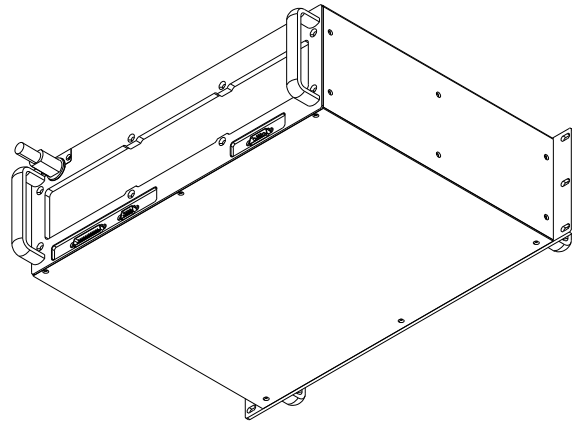
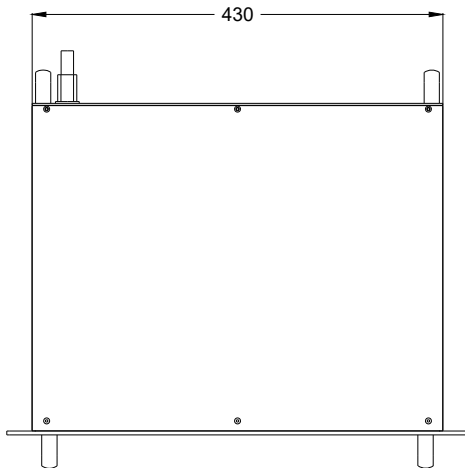
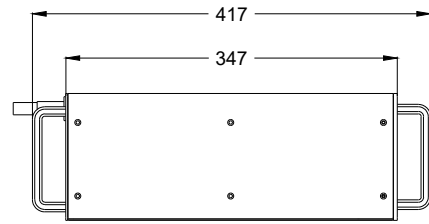
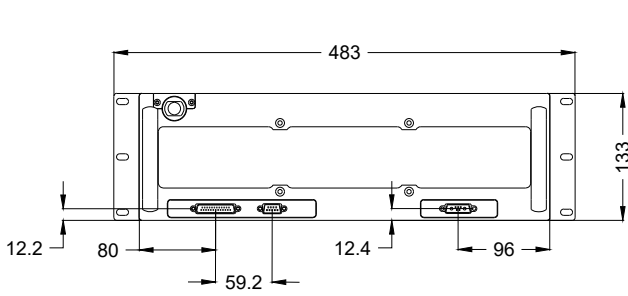
Product customizations are possible on request.

^[1] Depending on fiber core diameter

^[2] Other available fiber core diameters: 100 μm

^[3] Other available fiber lengths: 10 m / 15 m





JPT

Manufacturer

CW fiber laser

CW-200MM

Dimensions are given in millimeters and are intended as reference values.
Binding information is available on request.

