

C W F I B E R L A S E R

CW-4000MM-G

en | Data sheet | 1.1.1

- Multi-mode fiber core 50 to 600 μm
- Robust design for industrial use
- Application specific customizations
- Outstanding cost-effectiveness



Wavelength	1080 nm
Nominal output power	4000 W
Laser operation mode	CW, modulated
Beam parameter product (BPP)	2 mm*mrad
Fiber core diameter	50 μm ^[1]
Modulation frequency	0 - 5 kHz
Power instability \varnothing	2%
Power tuning range	10 – 100%
Polarization	Random
Fiber length	20 m ^[2]

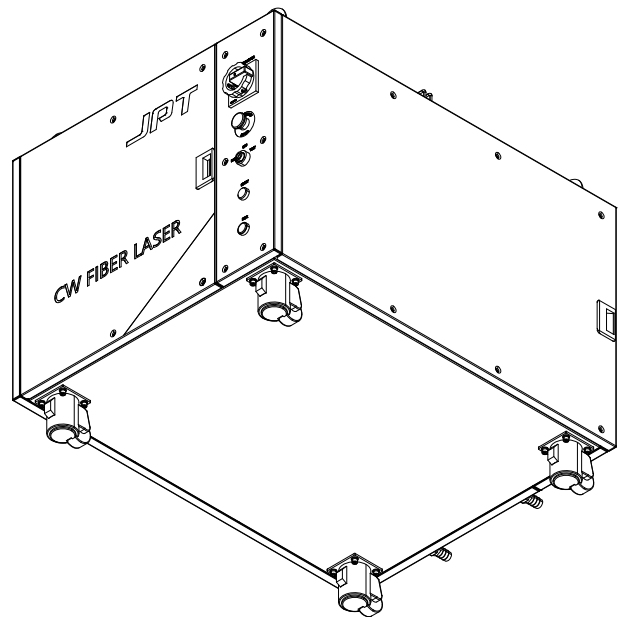
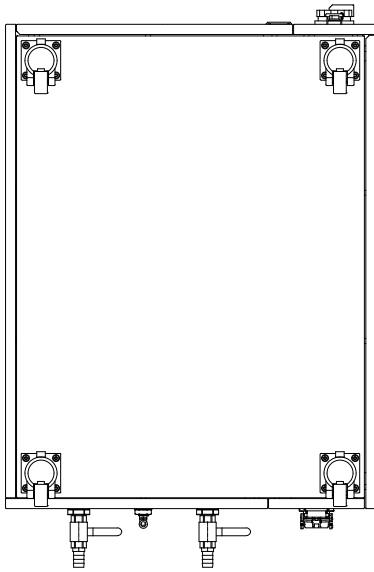
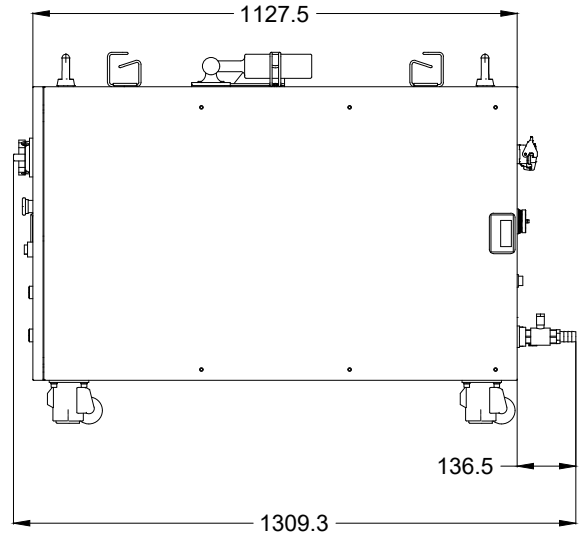
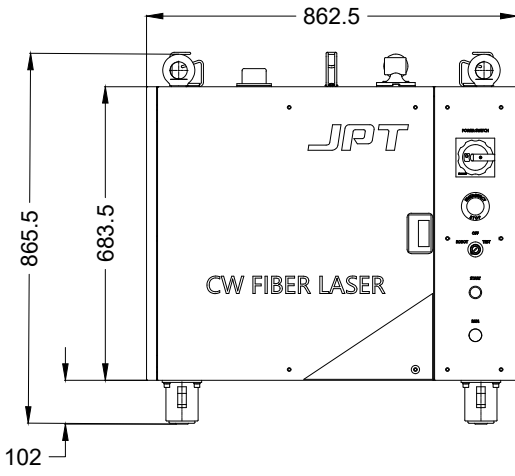
Cooling method	Water
Cooling flowrate	50 l/min
Cooling power	12 kW
Output type	QBH
Supply voltage AC	380 V
Power consumption @ 20°C	12000 W
Operation temperature	0 – 40 °C
Storage temperature	-10 – 60 °C
Mechanical dimensions (W × D × H)	1127.5 × 862.5 × 865.5 mm
Net weight	345 kg

Product customizations are possible on request.

^[1] Other available fiber core diameters: 50 μm / 100 μm / 150 μm / 200 μm / 400 μm / 600 μm

^[2] Other available fiber lengths: 25 m / 30 m





Laser product
Class 4

JPT

Manufacturer

CW fiber laser

CW-4000MM-G

Dimensions are given in millimeters and are intended as reference values.
Binding information is available on request.

