

C W F I B E R L A S E R

# CW-4000MM-L-PLD

en | Data sheet | 1.0

- Ideal for precise Laser Cutting and Welding
- Excellent power stability and optical characteristics
- High safety standard due to Performance Level D



|                              |                          |                                   |                    |
|------------------------------|--------------------------|-----------------------------------|--------------------|
| Wavelength                   | 1080 nm                  | Cooling method                    | Water              |
| Nominal output power (CW)    | 4050 W                   | Cooling flowrate                  | 35 l/min           |
| Laser operation mode         | CW, modulated            | Cooling power                     | 12 kW              |
| Beam parameter product (BPP) | 3 mm*mrad <sup>[1]</sup> | Aiming beam                       | Standard           |
| Fiber core diameter          | 100 µm <sup>[2]</sup>    | Output type                       | QBH                |
| Modulation frequency         | 1 – 20 Hz                | Supply voltage AC                 | 380 V              |
| Power instability Ø          | 3%                       | Current consumption               | 18.23 A            |
| Power tuning range           | 10 – 100%                | Power consumption @ 20°C          | 12000 W            |
| Polarization                 | Random                   | Operation temperature             | 10 – 40 °C         |
| Fiber length                 | 15 m <sup>[3]</sup>      | Storage temperature               | -20 – 50 °C        |
|                              |                          | Mechanical dimensions (W × D × H) | 482 × 742 × 105 mm |
|                              |                          | Net weight                        | 41 kg              |

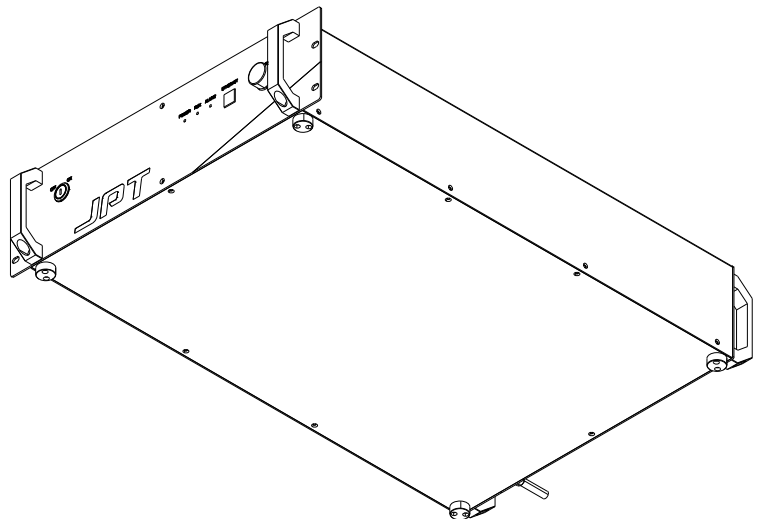
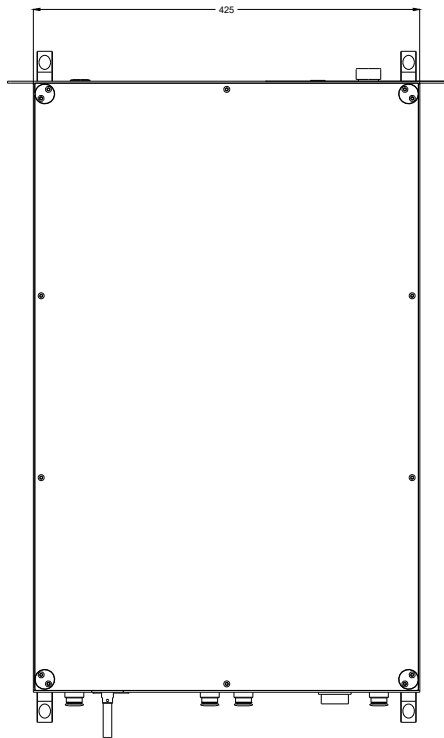
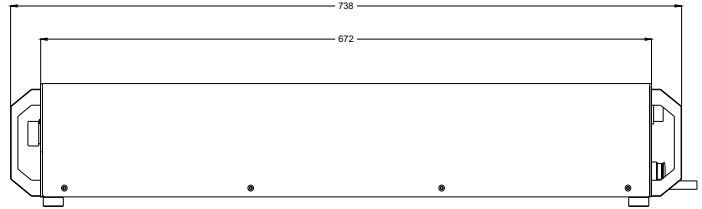
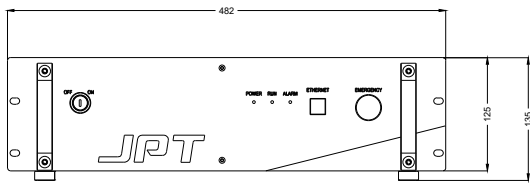
Product customizations are possible on request.

<sup>[1]</sup> Depending on fiber core diameter

<sup>[2]</sup> Other available fiber core diameters: 50 µm / 150 µm

<sup>[3]</sup> Other available fiber lengths: 10 m / 20 m





Laser product  
Class 4

## JPT

Manufacturer

CW fiber laser

CW-4000MM-L-PLD

Dimensions are given in millimeters and are intended as reference values.  
Binding information is available on request.

