

C W F I B E R L A S E R

CW-500MM-L

en | Data sheet | 1.0.2

- Multi-mode fiber core 50, 100, 150 μm
- CW operation, modulation up to 20 kHz
- Compact and lightweight < 22 kg
- Outstanding cost-effectiveness



Wavelength	1080 nm	Cooling flowrate	10 l/min
Nominal output power (CW)	500 W	Cooling power	1.5 kW
Laser operation mode	CW, modulated	Aiming beam	Standard
Beam parameter product (BPP)	1.3 mm*mrad ^[1]	Output type	QBH
Fiber core diameter	50 μm ^[2]	Supply voltage AC	220 V
Modulation frequency	1 – 20 kHz	Current consumption	6.82 A
Power instability \varnothing	2%	Power consumption @ 20°C	1500 W
Power tuning range	10 – 100%	Operation temperature	10 – 40 °C
Polarization	Random	Storage temperature	-10 – 50 °C
Fiber length	20 m ^[3]	Mechanical dimensions (W × D × H)	482 × 575 × 105 mm
Cooling method	Water	Net weight	21 kg

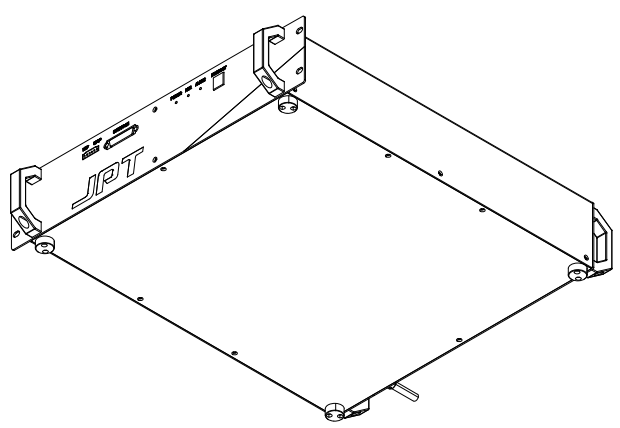
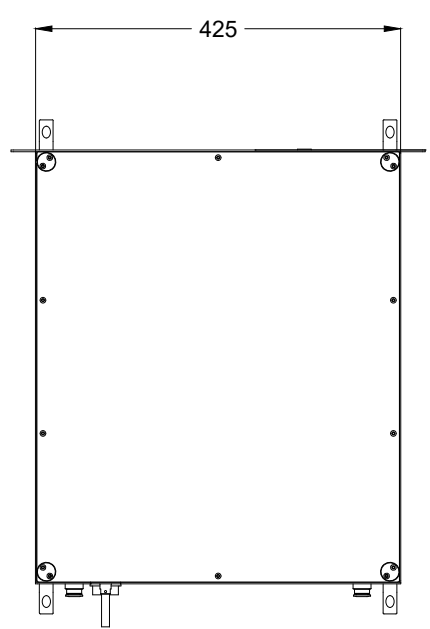
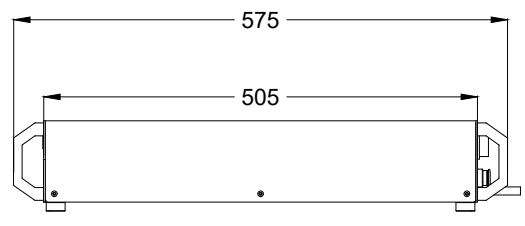
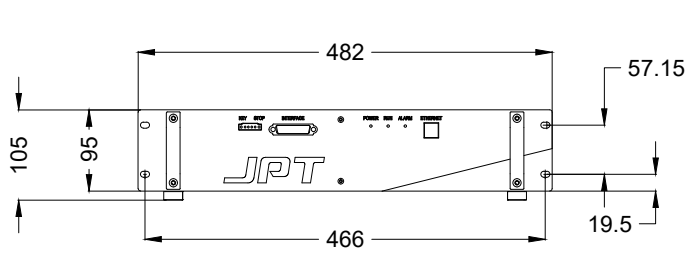
Product customizations are possible on request.

^[1] Depending on fiber core diameter

^[2] Other available fiber core diameters: 100 μm / 150 μm

^[3] Other available fiber lengths: 25 m





Laser product
Class 4



Manufacturer

CW fiber laser

CW-500MM-L

Dimensions are given in millimeters and are intended as reference values.
Binding information is available on request.

