

C W F I B E R L A S E R

CW-1200SM-A

en | Data sheet | 1.0

- Extra compact and lightweight design
- Customizable fiber cores and lengths
- No additional cooling required
- Outstanding energy efficiency



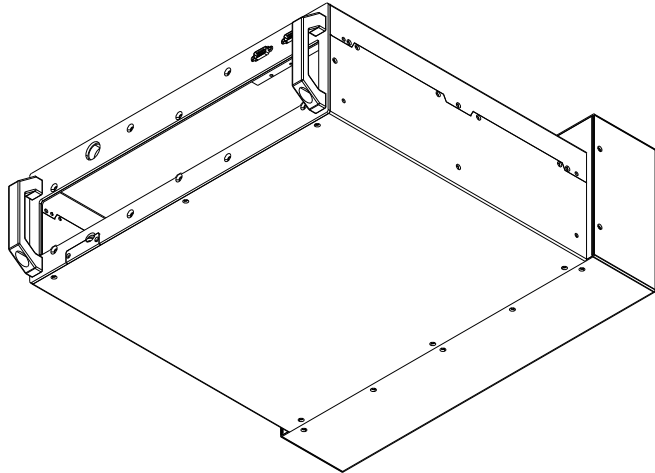
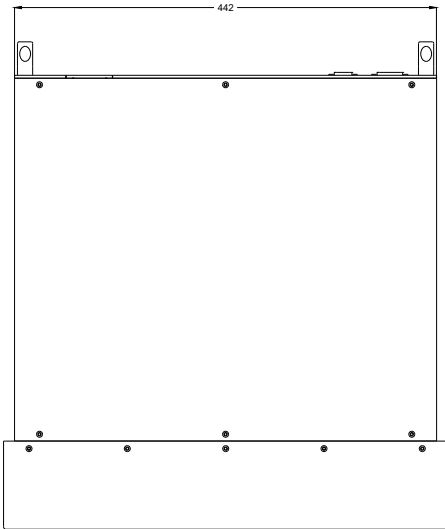
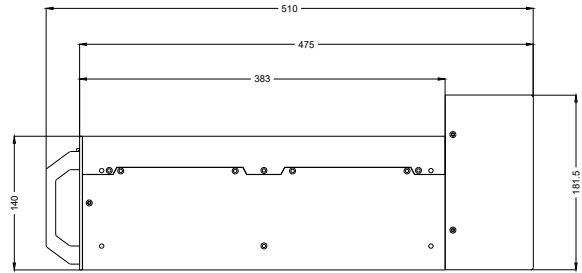
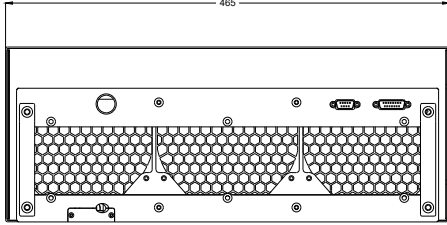
| | |
|------------------------------|--------------------|
| Wavelength | 1080 nm |
| Nominal output power | 1200 W |
| Laser operation mode | CW, modulated |
| Beam parameter product (BPP) | 0.38 mm*mrad |
| Fiber core diameter | 20 µm |
| Modulation frequency | 1 – 10 kHz |
| Power instability Ø | 2% |
| Power tuning range | 10 – 100 % |
| Polarization | Random |
| Fiber length | 5 m ^[1] |

| | |
|-----------------------------------|----------------------|
| Cooling method | Air |
| Aiming beam | Standard |
| Output type | QBH |
| Supply voltage DC | 54 V |
| Current consumption | 74 A |
| Power consumption @ 20°C | 4 kW |
| Operation temperature | 0 – 40 °C |
| Storage temperature | -20 – 50 °C |
| Mechanical dimensions (W × D × H) | 510 × 465 × 181.5 mm |
| Net weight | 30.5 kg |

Product customizations are possible on request.

^[1] Other available fiber lengths: 8 m / 10 m





Laser product
Class 4

JPT

Manufacturer

CW fiber laser

CW-1200SM-A

Dimensions are given in millimeters and are intended as reference values.
Binding information is available on request.

