

C W F I B E R L A S E R

# CW-300SM-A

en | Data sheet | 1.3

- Single-mode fiber core 14, 20, 25  $\mu\text{m}$
- Beam output QCS or QBH
- CW operation, modulation up to 20 kHz
- Outstanding cost-effectiveness



Wavelength	1080 nm
Nominal output power	300 W
Laser operation mode	CW, modulated
Beam parameter product (BPP)	0.4 mm*mrad <sup>[1]</sup>
Fiber core diameter	20 $\mu\text{m}$ <sup>[2]</sup>
Modulation frequency	1 – 20 kHz
Power instability $\varnothing$	1%
Power tuning range	10 – 100%
Polarization	Random
Beam diameter $D4\sigma$	6 mm <sup>[3]</sup>

Fiber length	5 m <sup>[4]</sup>
Cooling method	Air
Aiming beam	Standard
Output type	QBH / QCS
Supply voltage DC	48 V
Power consumption @ 20°C	1000 W
Operation temperature	0 – 40 °C
Storage temperature	-10 – 60 °C
Mechanical dimensions (W × D × H)	580 × 483 × 174.5 mm
Net weight	32 kg

Product customizations are possible on request.

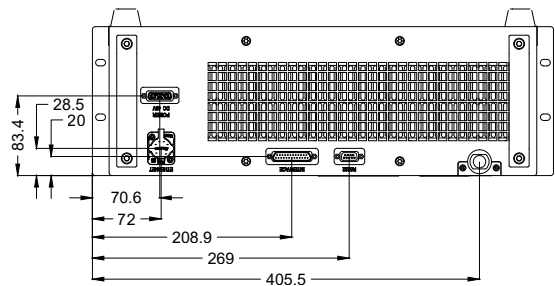
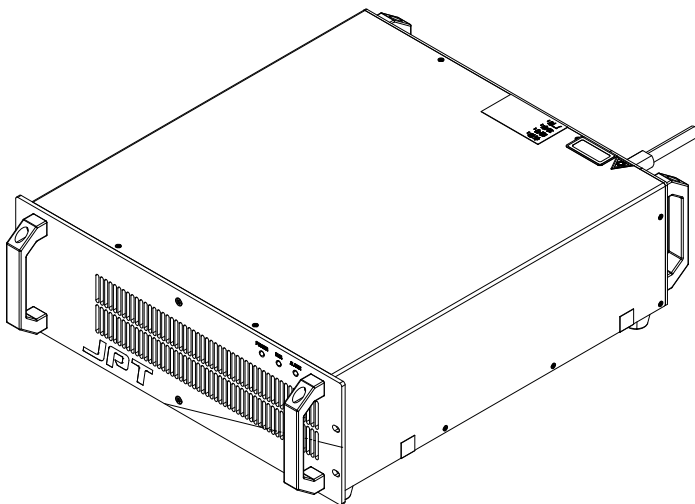
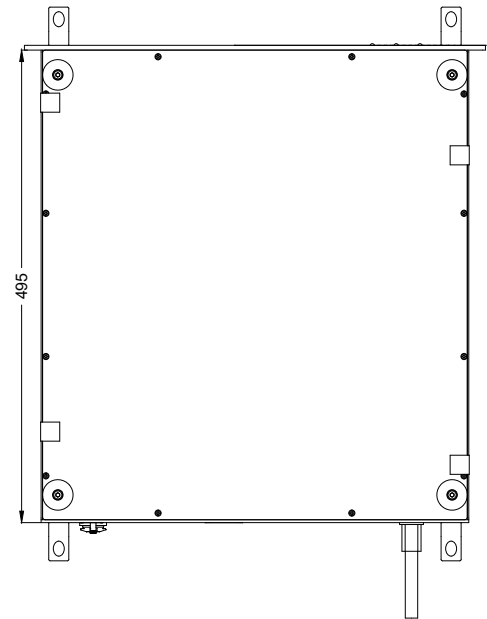
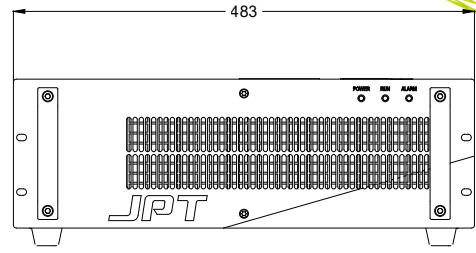
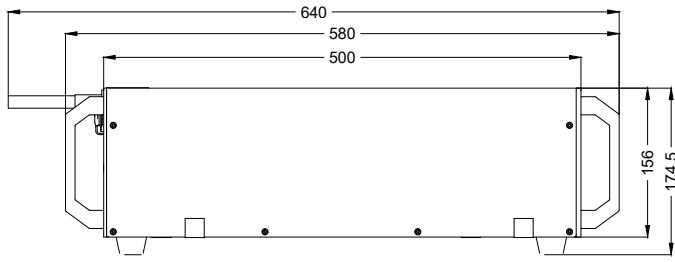
<sup>[1]</sup> Depending on fiber core diameter

<sup>[2]</sup> Other available fiber core diameters: 14  $\mu\text{m}$

<sup>[3]</sup> Other available beam diameters: 12 mm

<sup>[4]</sup> Other available fiber lengths: 10 m / 15 m





Laser product  
Class 4

## JPT

Manufacturer

CW fiber laser

CW-300SM-A

Dimensions are given in millimeters and are intended as reference values.  
Binding information is available on request.

