

C W F I B E R L A S E R

CW-2000SM-L

en | Data sheet | 1.0.3

- Single-mode fiber core 14, 20, 25 μm
- CW operation, modulation up to 20 kHz
- Compact and lightweight < 32 kg
- Outstanding cost-effectiveness



Wavelength	1080 nm
Nominal output power (CW)	2000 W
Laser operation mode	CW, modulated
Beam parameter product (BPP)	0.45 mm*mrad ^[1]
Fiber core diameter	14 μm ^[2]
Modulation frequency	1 – 20 kHz
Power instability \emptyset	2%
Power tuning range	10 – 100%
Polarization	Random
Fiber length	5 m ^[3]

Cooling method	Water
Cooling flowrate	15 l/min
Cooling power	6 kW
Aiming beam	Standard
Output type	QBH
Supply voltage AC	220 V
Current consumption	27.27 A
Power consumption @ 20°C	6000 W
Operation temperature	10 – 40 °C
Storage temperature	-10 – 50 °C
Mechanical dimensions (W × D × H)	482 × 575 × 105 mm
Net weight	31 kg

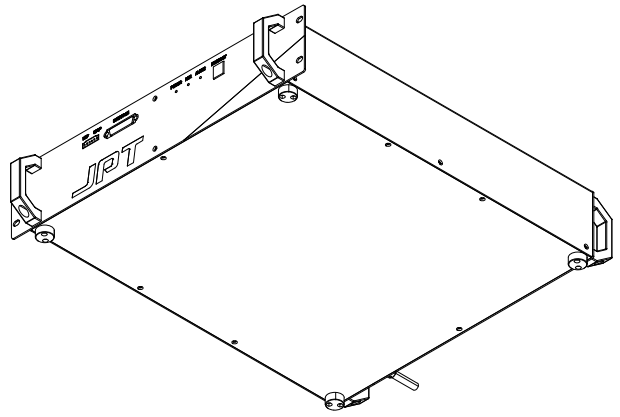
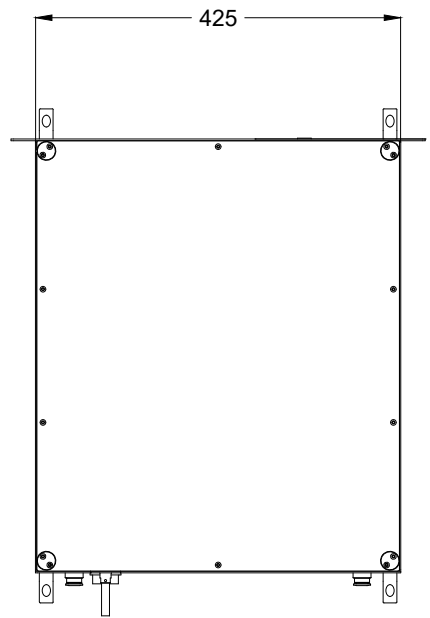
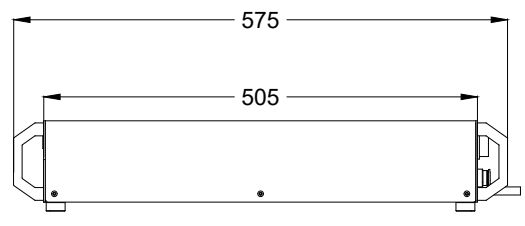
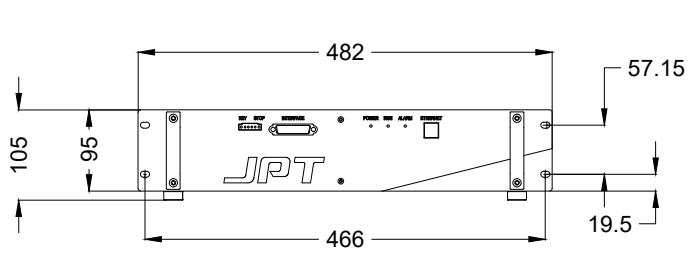
Product customizations are possible on request.

^[1] Depending on fiber core diameter

^[2] Other available fiber core diameters: 20 μm / 25 μm

^[3] Other available fiber lengths: 8 m / 15 m





Laser product
Class 4



Manufacturer

CW fiber laser

CW-2000SM-L

Dimensions are given in millimeters and are intended as reference values.
Binding information is available on request.

