

C W F I B E R L A S E R

# CW-3000SM-L

en | Data sheet | 1.0.3

- Single-Mode fiber core 25 µm
- CW operation, modulation up to 20 kHz
- Compact and lightweight < 42 kg
- Outstanding cost-effectiveness



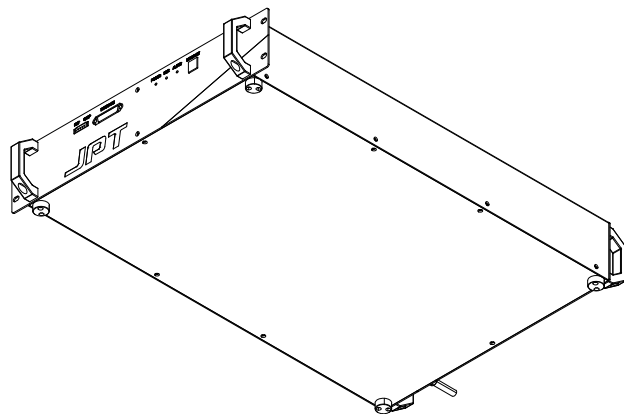
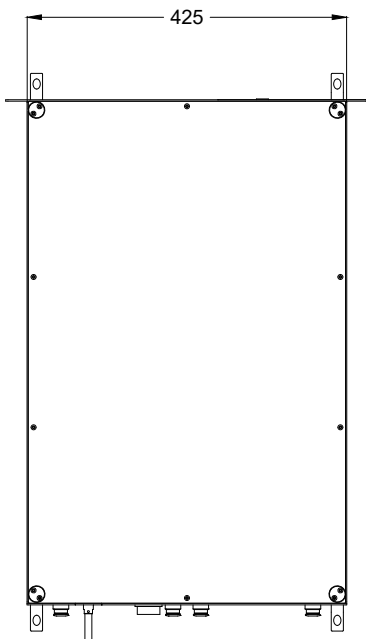
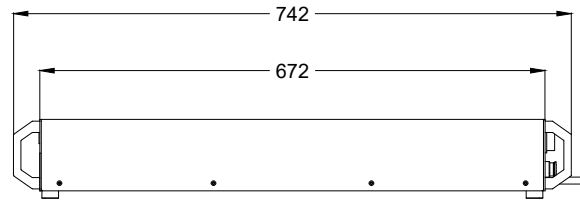
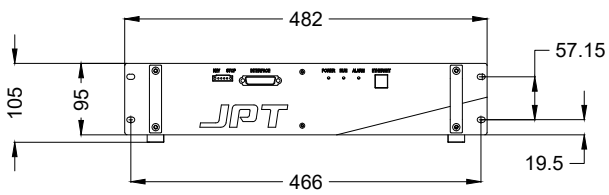
Wavelength	1080 nm
Nominal output power (CW)	3000 W
Laser operation mode	CW, modulated
Beam parameter product (BPP)	0.45 mm*mrad
Fiber core diameter	25 µm <sup>[1]</sup>
Modulation frequency	1 – 20 kHz
Power instability Ø	3%
Power tuning range	10 – 100%
Polarization	Random
Fiber length	10 m

Cooling method	Water
Cooling flowrate	25 l/min
Cooling power	9 kW
Aiming beam	Standard
Output type	QBH
Supply voltage AC	380 V
Current consumption	13.67 A
Power consumption @ 20°C	9000 W
Operation temperature	10 – 40 °C
Storage temperature	-10 – 50 °C
Mechanical dimensions (W × D × H)	482 × 742 × 105 mm
Net weight	41 kg

Product customizations are possible on request.

<sup>[1]</sup> Other available fiber core diameters: 25 µm





Laser product  
Class 4

## JPT

Manufacturer

CW fiber laser

CW-3000SM-L

Dimensions are given in millimeters and are intended as reference values.  
Binding information is available on request.

