

C W F I B E R L A S E R

CW-4000SM-L-PLD

en | Data sheet | 1.0

- Ideal for Additive Manufacturing, Laser Cutting and Welding
- Excellent power stability and optical characteristics
- High safety standard due to Performance Level D



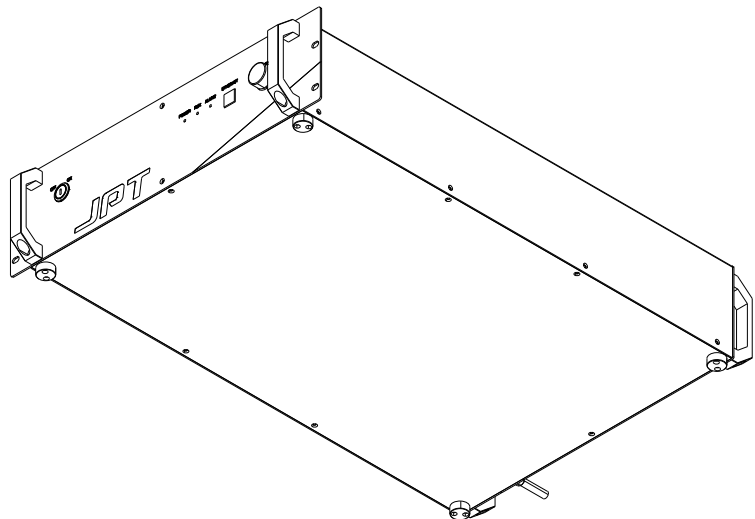
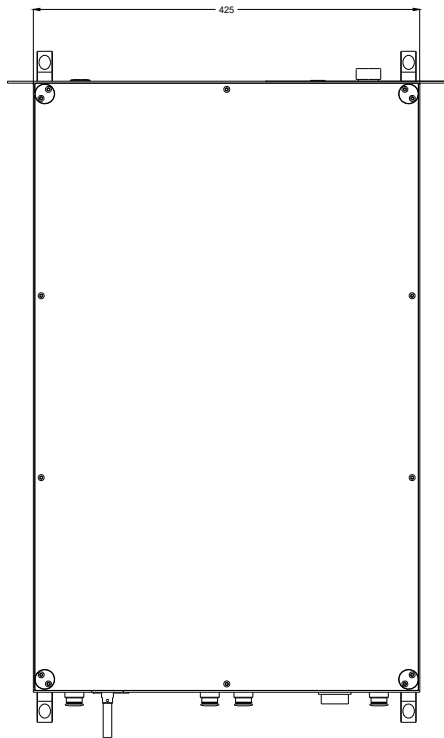
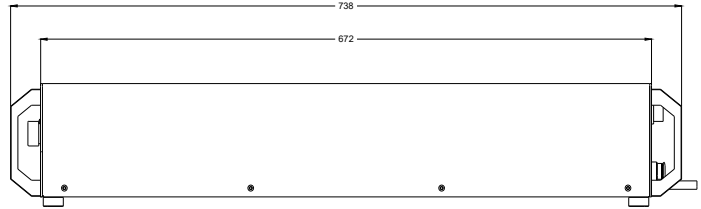
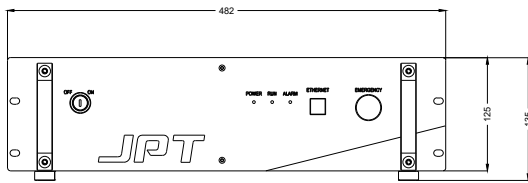
Wavelength	1080 nm
Nominal output power (CW)	4050 W
Laser operation mode	CW, modulated
Beam parameter product (BPP)	0.6 mm*mrad
Fiber core diameter	25 µm
Modulation frequency	1 – 20 Hz
Power instability Ø	3%
Power tuning range	10 – 100%
Polarization	Random
Fiber length	15 m ^[1]

Cooling method	Water
Cooling flowrate	35 l/min
Cooling power	12 kW
Aiming beam	Standard
Output type	QBH
Supply voltage AC	380 V
Current consumption	18.23 A
Power consumption @ 20°C	12000 W
Operation temperature	10 – 40 °C
Storage temperature	-20 – 50 °C
Mechanical dimensions (W × D × H)	482 × 742 × 105 mm
Net weight	41 kg

Product customizations are possible on request.

^[1] Other available fiber lengths: 10 m / 20 m





Laser product
Class 4

JPT

Manufacturer

CW fiber laser

CW-4000SM-L-PLD

Dimensions are given in millimeters and are intended as reference values.
Binding information is available on request.

