

C W F I B E R L A S E R

# CW-4000SM-L

en | Data sheet | 1.0

- Ideal for Additive Manufacturing, Laser Cutting and Welding
- Excellent power stability and optical characteristics
- Compact and lightweight with 43 kg

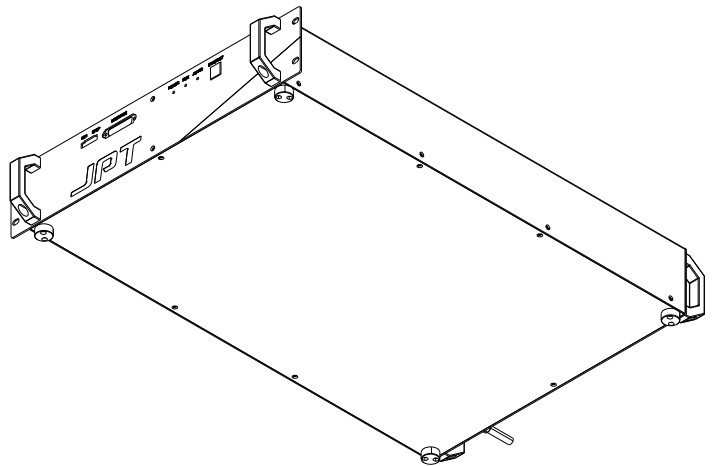
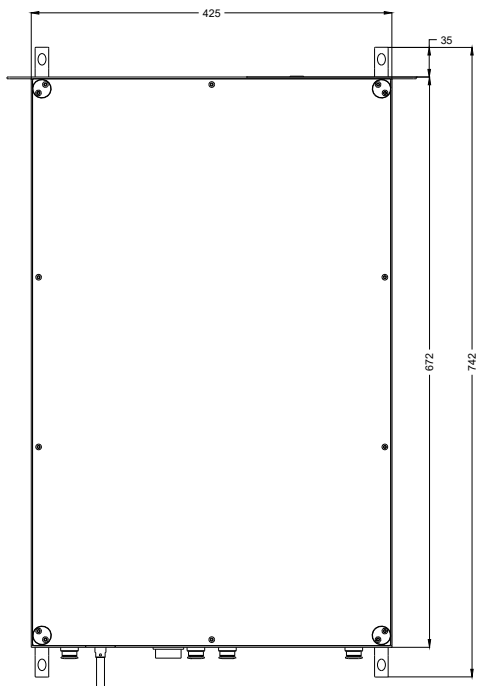
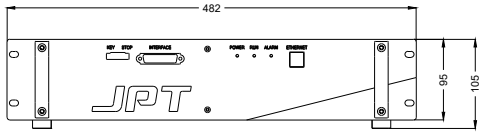


Wavelength	1080 nm	Cooling method	Water
Nominal output power	4050 W	Cooling flowrate	35 l/min
Laser operation mode	CW, modulated	Cooling power	12 kW
Beam parameter product (BPP)	0.6 mm*mrad	Aiming beam	Standard
Fiber core diameter	25 µm	Output type	QBH
Modulation frequency	1 Hz – 20 kHz	Supply voltage AC	380 V
Power instability Ø	3%	Current consumption	10.53 A
Power tuning range	10 – 100%	Power consumption @ 20°C	12000 W
Polarization	Random	Operation temperature	10 – 40 °C
Fiber length	15 m <sup>[1]</sup>	Storage temperature	-10 – 50 °C
		Mechanical dimensions (W × D × H)	482 × 742 × 135 mm
		Net weight	43 kg

Product customizations are possible on request.

<sup>[1]</sup> Other available fiber lengths: 10 m / 20 m





Laser product  
Class 4

## JPT

Manufacturer

CW fiber laser

CW-4000SM-L

Dimensions are given in millimeters and are intended as reference values.  
Binding information is available on request.

