

C W F I B E R L A S E R

# CW-500SM-L

en | Data sheet | 1.0.3

- Single-mode fiber core 14, 20, 25  $\mu\text{m}$
- CW operation, modulation up to 20 kHz
- Compact and lightweight < 22 kg
- Outstanding cost-effectiveness



Wavelength	1080 nm	Cooling flowrate	10 l/min
Nominal output power (CW)	500 W	Cooling power	1.5 kW
Laser operation mode	CW, modulated	Aiming beam	Standard
Beam parameter product (BPP)	0.45 mm*mrad <sup>[1]</sup>	Output type	QBH
Fiber core diameter	14 $\mu\text{m}$ <sup>[2]</sup>	Supply voltage AC	220 V
Modulation frequency	1 – 20 kHz	Current consumption	6.82 A
Power instability $\varnothing$	2%	Power consumption @ 20°C	1500 W
Power tuning range	10 – 100%	Operation temperature	10 – 40 °C
Polarization	Random	Storage temperature	-10 – 50 °C
Fiber length	5 m <sup>[3]</sup>	Mechanical dimensions (W × D × H)	482 × 575 × 105 mm
Cooling method	Water	Net weight	21 kg

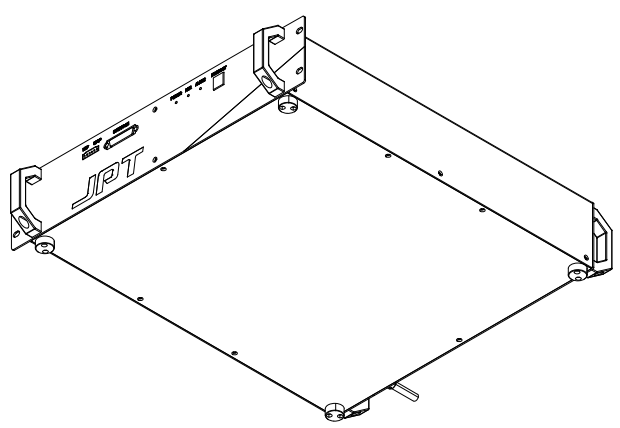
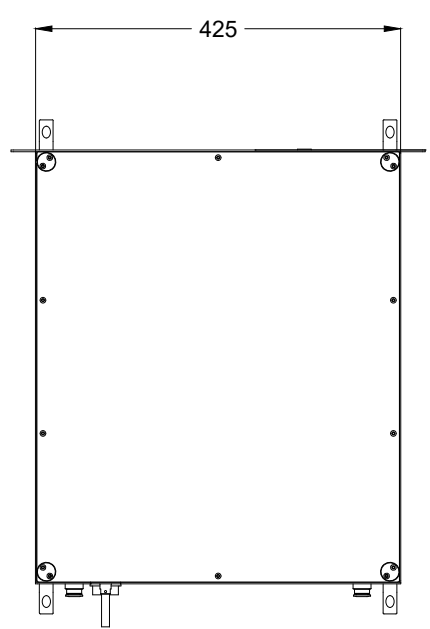
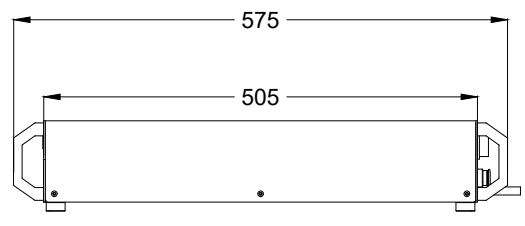
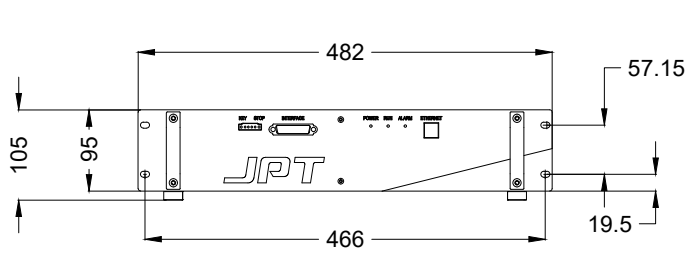
Product customizations are possible on request.

<sup>[1]</sup> Depending on fiber core diameter

<sup>[2]</sup> Other available fiber core diameters: 20  $\mu\text{m}$  / 25  $\mu\text{m}$

<sup>[3]</sup> Other available fiber lengths: 15 m





Laser product  
Class 4



Manufacturer

CW fiber laser

CW-500SM-L

Dimensions are given in millimeters and are intended as reference values.  
Binding information is available on request.

