

C W F I B E R L A S E R

# CW-T-100MM

en | Data sheet | 1.0

- Precise welding and cutting of plastics
- Customizable for individual requirements
- High efficiency, low maintenance



Wavelength	1940 nm
Nominal output power	100 W
Laser operation mode	CW, modulated
Beam parameter product (BPP)	1.3 mm*mrad <sup>[1]</sup>
Fiber core diameter	50 µm <sup>[2]</sup>
Modulation frequency	5 – 20 kHz
Power instability Ø	1%
Power tuning range	10 – 100%
Polarization	Random
Beam diameter D4σ	6 mm <sup>[3]</sup>
Fiber length	5 m <sup>[4]</sup>

Cooling method	Water
Cooling flowrate	6 l/min
Cooling power	0.5 kW
Aiming beam	Standard
Output type	QBH / QCS
Supply voltage AC	220 V
Current consumption	2.27 A
Power consumption @ 20°C	500 W
Operation temperature	10 – 40 °C
Storage temperature	-20 – 50 °C
Mechanical dimensions (W × D × H)	482 × 575 × 105 mm
Net weight	21 kg

Product customizations are possible on request.

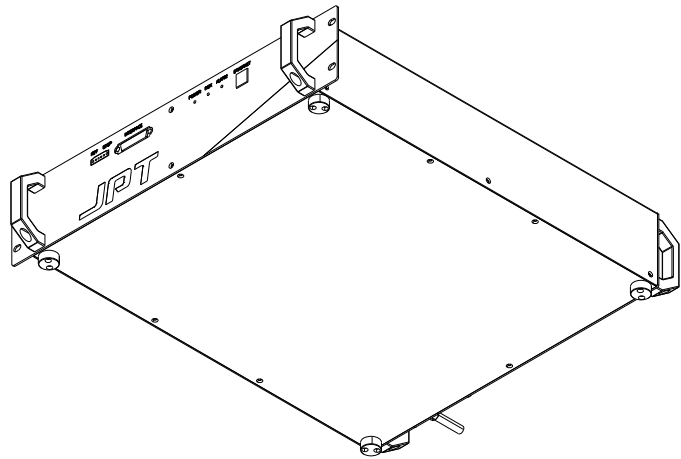
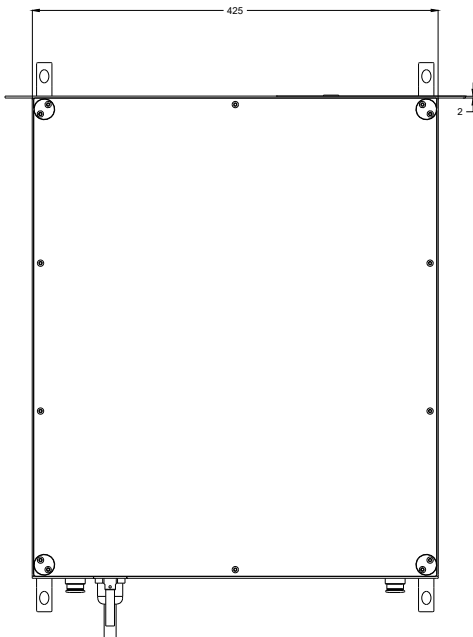
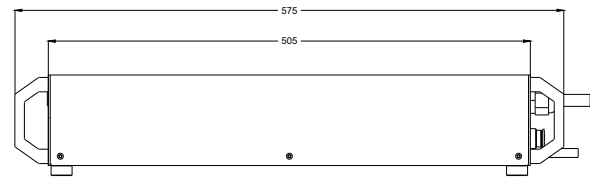
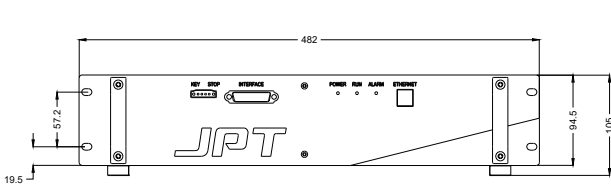
<sup>[1]</sup> Depending on fiber core diameter

<sup>[2]</sup> Other available fiber core diameter combinations: 4 mm\*mrad / 100 µm ; 6.5 mm\*mrad / 150 µm

<sup>[3]</sup> Other available beam diameters: 12 mm

<sup>[4]</sup> Other available fiber lengths: 10 m / 15 m / 20 m





Laser product  
Class 4

## JPT

Manufacturer

CW fiber laser

CW-T-100MM

Dimensions are given in millimeters and are intended as reference values.  
Binding information is available on request.

