

C W F I B E R L A S E R

CW-T-200MM

en | Data sheet | 1.0

- Precise welding and cutting of plastics
- Customizable for individual requirements
- High efficiency, low maintenance



Wavelength	1940 nm	Cooling method	Water
Nominal output power	200 W	Cooling flowrate	8 l/min
Laser operation mode	CW, modulated	Cooling power	1 kW
Beam parameter product (BPP)	1.3 mm*mrad ^[1]	Aiming beam	Standard
Fiber core diameter	50 µm ^[2]	Output type	QBH / QCS
Modulation frequency	5 – 20 kHz	Supply voltage AC	220 V
Power instability Ø	1%	Current consumption	4.54 A
Power tuning range	10 – 100%	Power consumption @ 20°C	1000 W
Polarization	Random	Operation temperature	10 – 40 °C
Beam diameter D4σ	6 mm ^[3]	Storage temperature	-20 – 50 °C
Fiber length	5 m ^[4]	Mechanical dimensions (W × D × H)	482 × 575 × 105 mm
		Net weight	24 kg

Product customizations are possible on request.

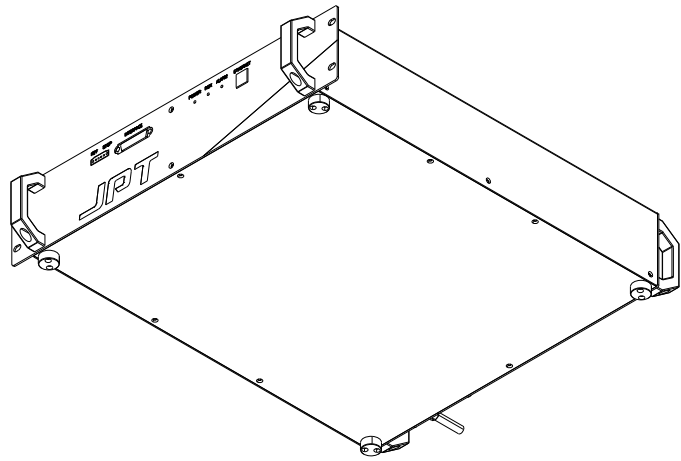
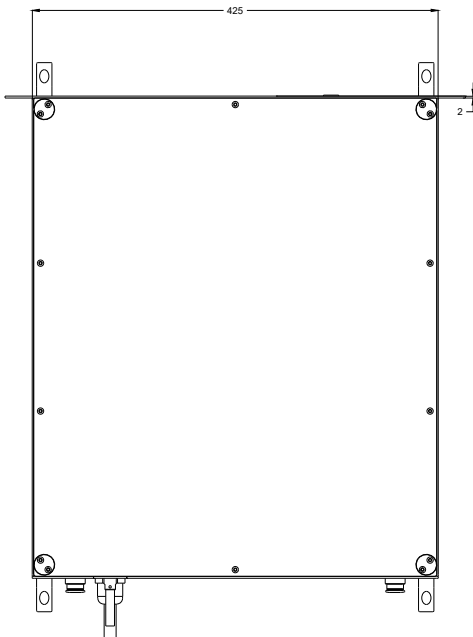
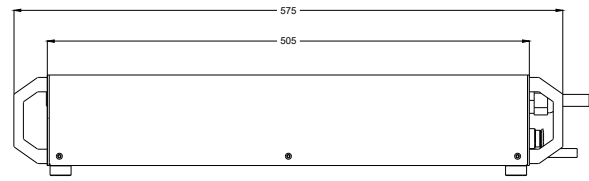
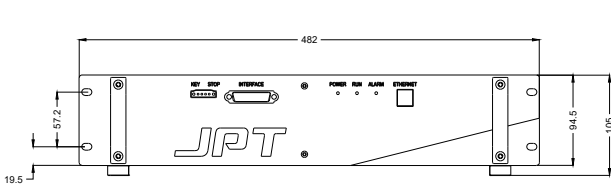
^[1] Depending on fiber core diameter

^[2] Other available fiber core diameter combinations: 4 mm*mrad / 100 µm ; 6.5 mm*mrad / 150 µm

^[3] Other available beam diameters: 12 mm

^[4] Other available fiber lengths: 10 m / 15 m / 20 m





Laser product
Class 4

JPT

Manufacturer

CW fiber laser

CW-T-200MM

Dimensions are given in millimeters and are intended as reference values.
Binding information is available on request.

