

C W F I B E R L A S E R

CW-T-100SM

en | Data sheet | 1.0

- Precise welding and cutting of plastics
- Customizable for individual requirements
- High efficiency, low maintenance



Wavelength	1940 nm	Cooling flowrate	6 l/min
Nominal output power	100 W	Cooling power	0.5 kW
Laser operation mode	CW, modulated	Aiming beam	Standard
Beam parameter product (BPP)	0.6 mm*mrad ^[1]	Output type	QBH / QCS
Fiber core diameter	25 µm	Supply voltage AC	220 V
Modulation frequency	5 – 20 kHz	Current consumption	2.27 A
Power instability Ø	1%	Power consumption @ 20°C	500 W
Power tuning range	10 – 100%	Operation temperature	10 – 40 °C
Polarization	Random	Storage temperature	-20 – 50 °C
Beam diameter D4σ	6 mm ^[2]	Mechanical dimensions (W × D × H)	482 × 575 × 105 mm
Fiber length	5 m ^[3]	Net weight	21 kg
Cooling method	Water		

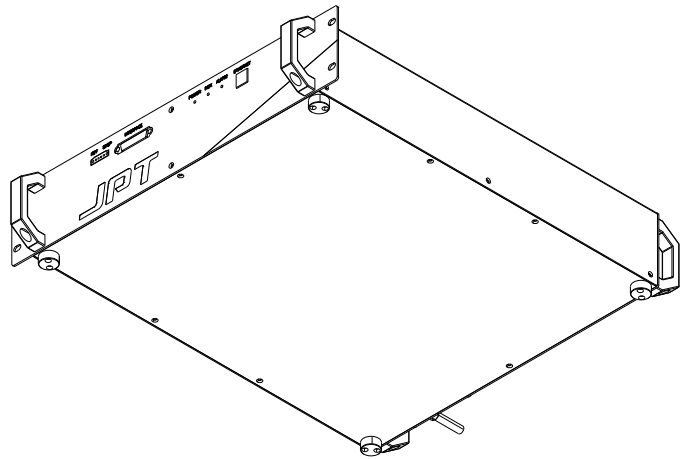
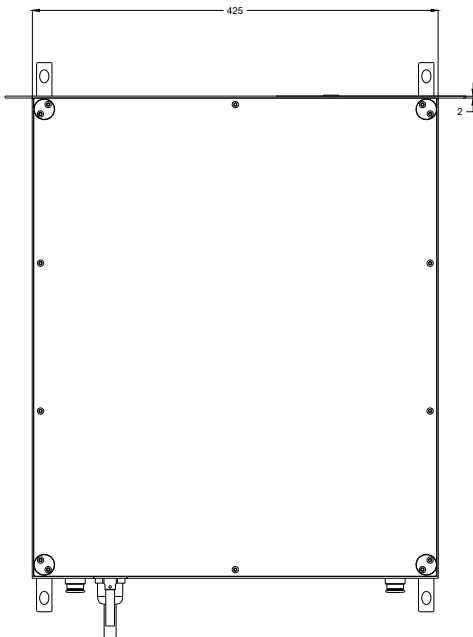
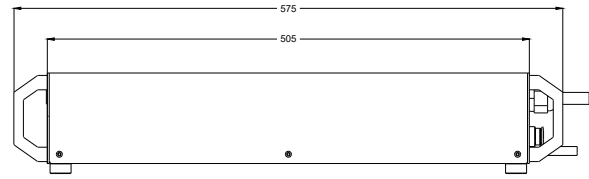
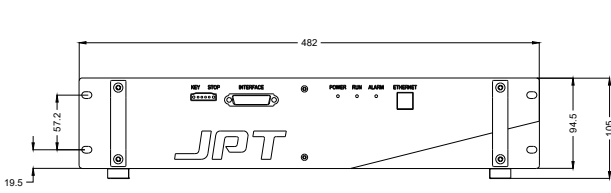
Product customizations are possible on request.

^[1] Depending on fiber core diameter

^[2] Other available beam diameters: 12 mm

^[3] Other available fiber lengths: 10 m / 15 m / 20 m





Laser product
Class 4

JPT

Manufacturer

CW fiber laser

CW-T-100SM

Dimensions are given in millimeters and are intended as reference values.
Binding information is available on request.

