

FIBER LASER

CL-100-1-A

en | Data sheet | 1.2.3

- Air-cooled MOPA fiber laser 100 Watt
- Variable adjustable pulse width 2 – 500 ns
- Frequencies up to 4000 kHz
- Developed for cleaning and ablation
- Compact design, minimum weight



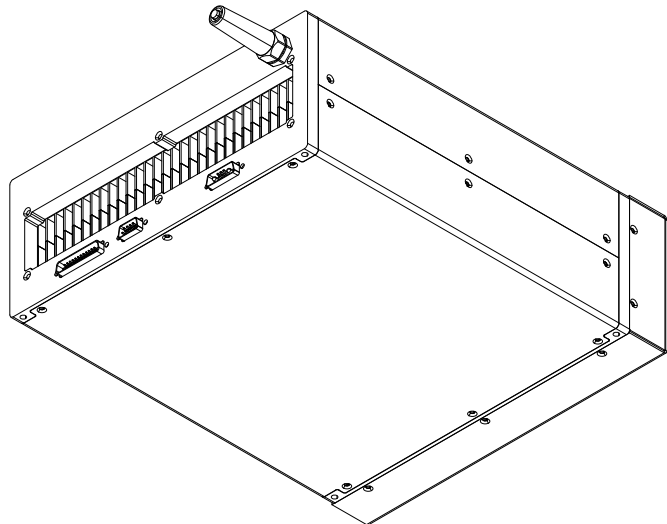
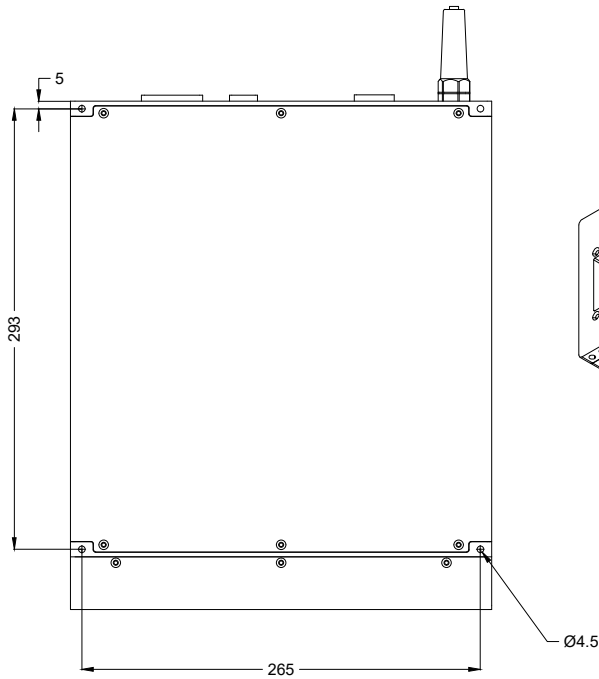
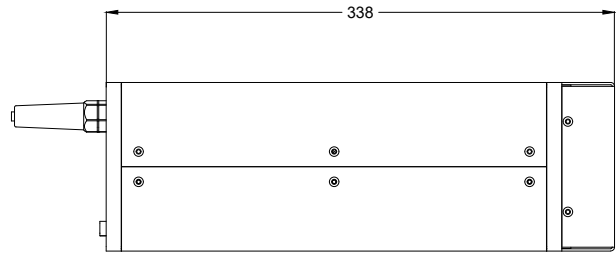
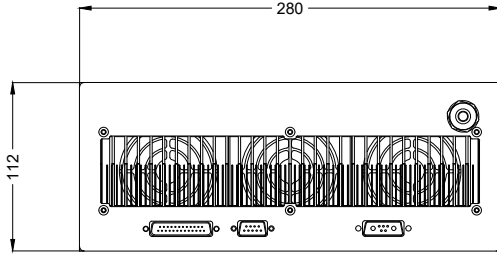
Wavelength	1064 nm	Beam diameter D4 σ	7 mm ^[1]
Nominal output power	100 W	Fiber length	5 m ^[2]
Laser operation mode	Pulsed	Cooling method	Air
Beam quality (\leq)	2 M ²	Aiming beam	Standard
Pulse frequency	1 – 4000 kHz	Adjustable pulse width	Yes
Full power frequency	65 – 4000 kHz	House keeping function	Standard
Max. peak pulse power	11 kw @ 13 ns	Supply voltage DC	48 V
Pulse width	2 – 500 ns	Current consumption	8 A
Max. pulse energy	1.5 mJ @ 500 ns	Power consumption @ 20°C	400 W
Power instability \emptyset	5%	Operation temperature	0 – 40 °C
Power tuning range	0 – 100%	Storage temperature	-10 – 60 °C
Polarization	Random	Mechanical dimensions (W × D × H)	280 × 112 × 338 mm
Anti-reflective coating	Standard	Net weight	13.2 kg

Product customizations are possible on request.

^[1] Other available beam diameters: 4 mm – 7 mm

^[2] Other available fiber lengths: 3 m / 7 m





Laser product
Class 4

JPT

Manufacturer

Fiber laser

CL-100-1-A

Dimensions are given in millimeters and are intended as reference values.
Binding information is available on request.

