

FIBER LASER

CL-1000-50-W

en | Data sheet | 1.1.1

- Water-cooled MOPA fiber laser 1000 Watt
- Maximum peak pulse power 350 kW
- Maximum pulse energy 50 mJ
- Frequencies up to 400 kHz
- Developed for cleaning and ablation



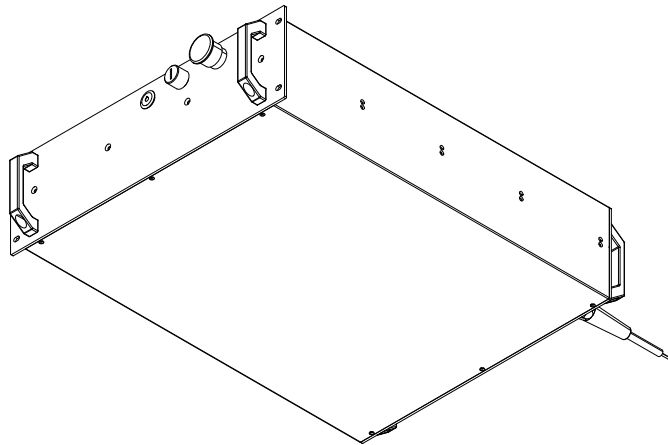
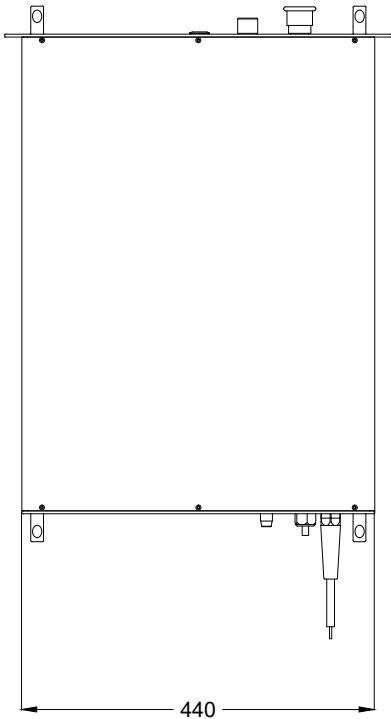
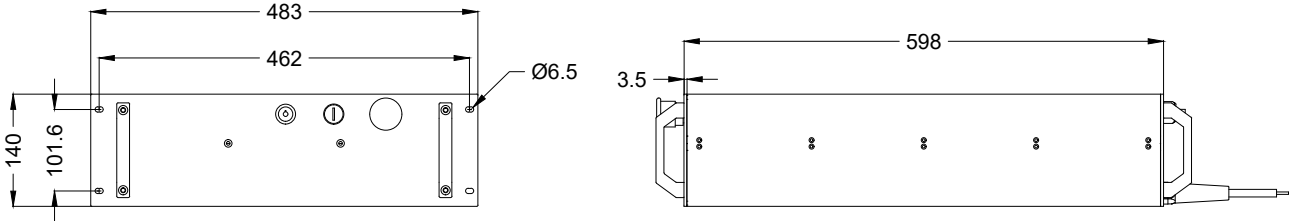
Wavelength	1064 nm
Nominal output power	1000 W
Laser operation mode	Pulsed
Pulse frequency	10 – 4000 kHz
Full power frequency	20 – 4000 kHz
Max. peak pulse power	350 kW
Pulse width	30 – 500 ns
Max. pulse energy	50 mJ
Power instability Ø	5%
Power tuning range	0 – 100%
Polarization	Random
Anti-reflective coating	Standard
Fiber length	10 m

Cooling method	Water
Cooling flowrate	15 l/min
Cooling power	4000 W
Aiming beam	Standard
Adjustable pulse width	Yes
House keeping function	Standard
Supply voltage AC	220 V
Current consumption	20 A
Power consumption @ 20°C	4000 W
Operation temperature	0 – 40 °C
Storage temperature	-10 – 60 °C
Mechanical dimensions (W × D × H)	598 × 140 × 483 mm
Net weight	40 kg

Product customizations are possible on request.

Information is subject to change without notice. Product photos are non-binding and may show customized features.





Laser product
Class 4

JPT

Manufacturer

Fiber laser

CL-1000-50-W

Dimensions are given in millimeters and are intended as reference values.
Binding information is available on request.

