

FIBER LASER

# CL-300-5-A

en | Data sheet | 1.0.2

- Air-cooled MOPA fiber laser 300 Watt
- Maximum peak pulse power 20 kW
- Maximum pulse energy 5 mJ @ 500 ns
- Frequencies up to 4000 kHz
- Developed for cleaning and ablation



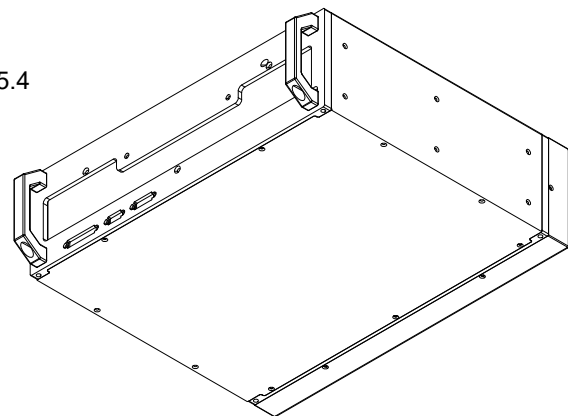
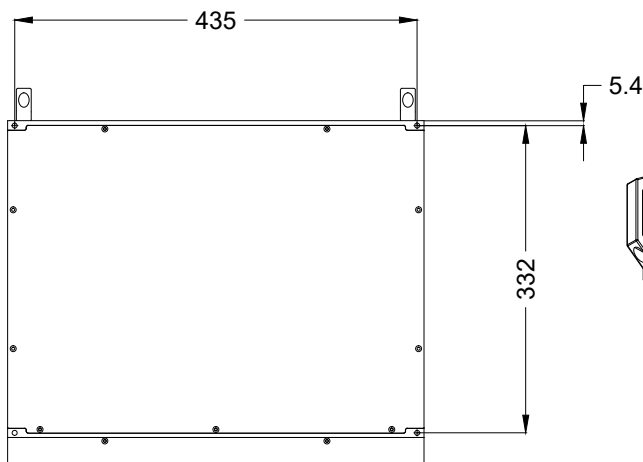
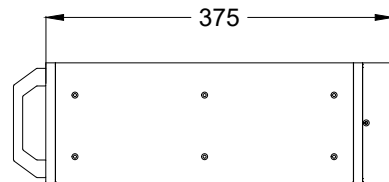
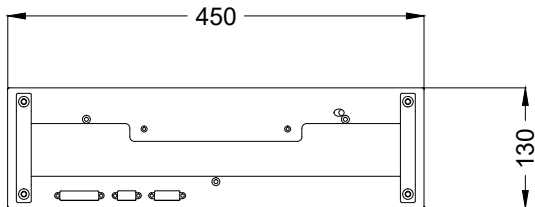
Wavelength	1064 nm	Beam diameter D4 $\sigma$	7 mm <sup>[1]</sup>
Nominal output power	300 W	Fiber length	5 m <sup>[2]</sup>
Laser operation mode	Pulsed	Cooling method	Air
Beam quality ( $\leq$ )	5 M <sup>2</sup>	Aiming beam	Standard
Pulse frequency	1 – 4000 kHz	Adjustable pulse width	Yes
Full power frequency	60 – 4000 kHz	House keeping function	Standard
Max. peak pulse power	21 kw @ 150 ns	Supply voltage DC	48 V
Pulse width	2 – 500 ns	Current consumption	25 A
Max. pulse energy	5 mJ @ 500 ns	Power consumption @ 20°C	1200 W
Power instability $\emptyset$	5%	Operation temperature	0 – 40 °C
Power tuning range	0 – 100%	Storage temperature	-10 – 60 °C
Polarization	Random	Mechanical dimensions (W x D x H)	450 x 130 x 375 mm
Anti-reflective coating	Standard	Net weight	25 kg

Product customizations are possible on request.

<sup>[1]</sup> Other available beam diameters: 4 mm – 8.5 mm

<sup>[2]</sup> Other available fiber lengths: 3 m / 7 m





Laser product  
Class 4

## JPT

Manufacturer

Fiber laser

CL-300-5-A

Dimensions are given in millimeters and are intended as reference values.  
Binding information is available on request.

