

FIBER LASER

CL-500-50-W-v2

en | Data sheet | 1.0

- Developed for fast and eco-friendly laser cleaning
- Optimized beam profile for large-area ablation
- High power for removing heavy contamination
- Adjustable pulse widths and pulse shapes

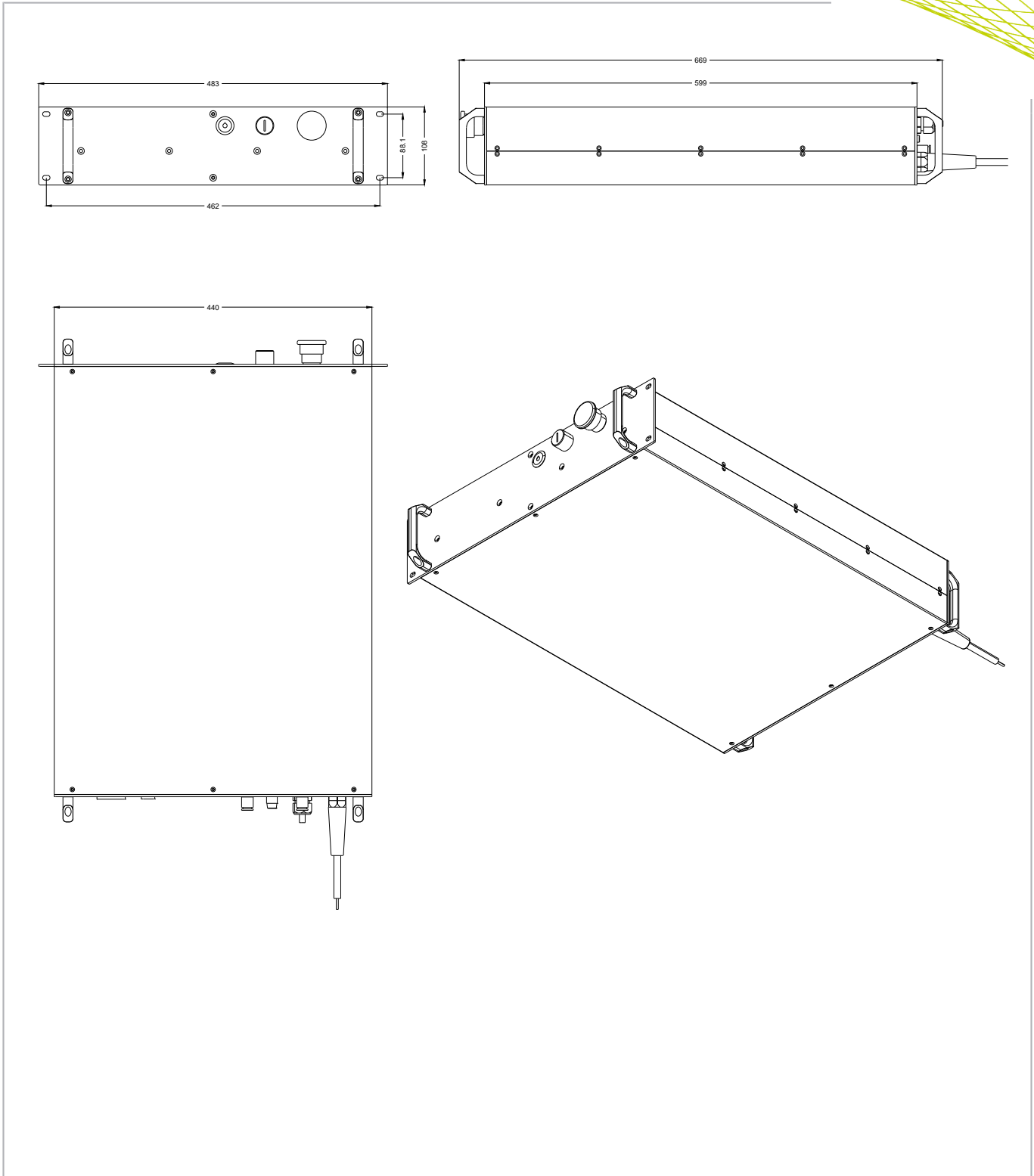


Wavelength	1064 nm	Fiber length	10 m ^[1]
Nominal output power	500 W	Cooling method	Water
Beam quality (≤)	26.5 M ²	Cooling flowrate	6 l/min
Pulse frequency	1 – 4000 kHz	Cooling power	1500 W
Full power frequency	10 – 4000 kHz	Aiming beam	Standard
Max. peak pulse power	350 kW @ 500 ns	Supply voltage AC	220 V
Pulse width	30 – 500 ns	Current consumption	9.09 A
Max. pulse energy	50 mJ @ 500 ns	Power consumption @ 20°C	2000 W
Power instability Ø	5%	Operation temperature	0 – 40 °C
Power tuning range	0 – 100%	Storage temperature	-10 – 60 °C
Polarization	Random	Mechanical dimensions (W × D × H)	599 × 440 × 108 mm
Anti-reflective coating	Standard	Net weight	28.5 kg

Product customizations are possible on request.

^[1] Other available fiber lengths: 5 m, 15 m, 20 m





Laser product
Class 4

JPT

Manufacturer

Fiber laser

CL-500-50-W-v2

Dimensions are given in millimeters and are intended as reference values.
Binding information is available on request.

