

FIBER LASER

# CL2-200-2-A

en | Data sheet | 1.2

- Air-cooled MOPA fiber laser 200 Watt
- Extra compact design
- Maximum pulse energy 2 mJ @ 500 ns
- Variable adjustable pulse width 13 - 500 ns
- Developed for cleaning and ablation



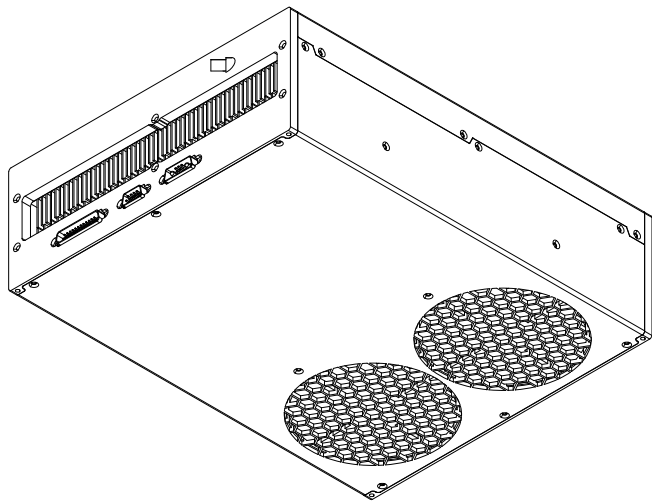
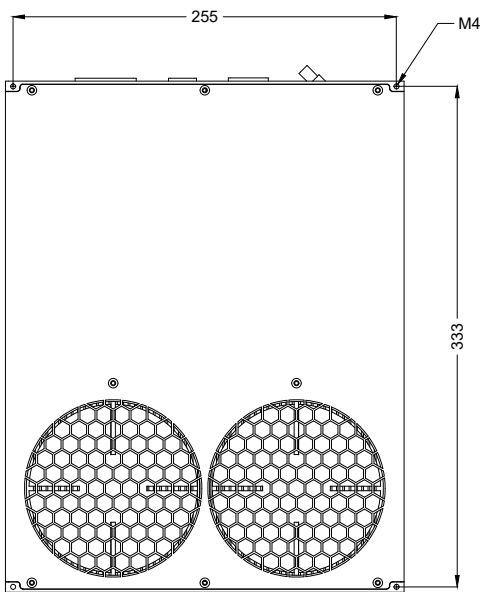
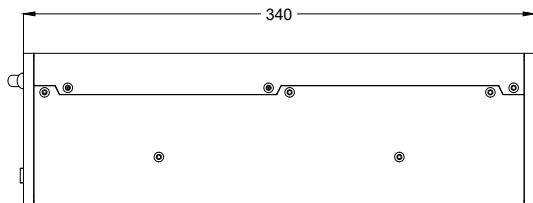
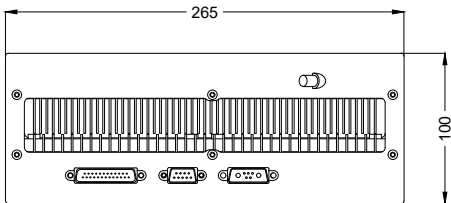
Wavelength	1064 nm	Beam diameter D4σ	6 mm <sup>[1]</sup>
Nominal output power	200 W	Fiber length	5 m <sup>[2]</sup>
Laser operation mode	Pulsed	Cooling method	Air
Beam quality (≤)	1.5 M <sup>2</sup>	Aiming beam	Standard
Pulse frequency	1 – 3000 kHz	Adjustable pulse width	Yes
Full power frequency	100 – 3000 kHz	House keeping function	Standard
Max. peak pulse power	11 kW	Supply voltage DC	48 V
Pulse width	13 – 500 ns	Current consumption	14.6 A
Max. pulse energy	2 mJ	Power consumption @ 20°C	700 W
Power instability Ø	5%	Operation temperature	0 – 40 °C
Power tuning range	0 – 100%	Storage temperature	-10 – 60 °C
Polarization	Random	Mechanical dimensions (W × D × H)	340 × 100 × 265 mm
Anti-reflective coating	Standard	Net weight	8.9 kg

Product customizations are possible on request.

<sup>[1]</sup> Other available beam diameters: 2.5 mm - 10.5 mm

<sup>[2]</sup> Other available fiber lengths: 3 m / 8 m





Laser product  
Class 4

Fiber laser

CL2-200-2-A

Dimensions are given in millimeters and are intended as reference values.  
Binding information is available on request.

