

FIBER LASER

CL2-200-5-A

en | Data sheet | 1.0

- Air-cooled MOPA fiber laser 200 Watt
- Maximum peak pulse power 20 kW
- Frequencies up to 3000 kHz
- Developed for cleaning and ablation
- Compact design, minimum weight



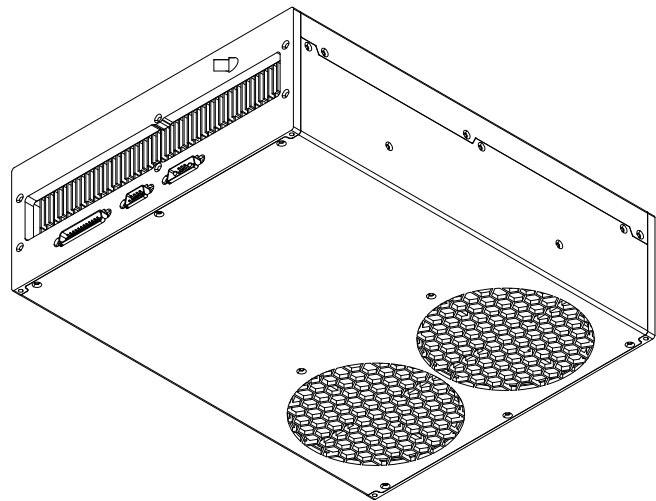
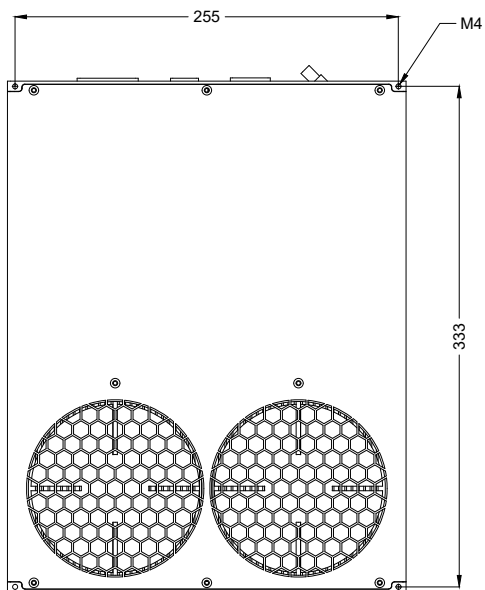
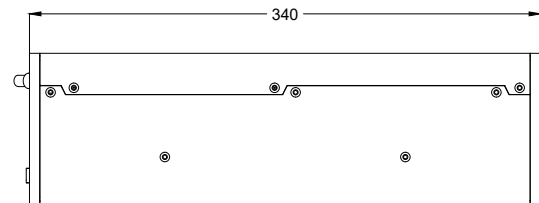
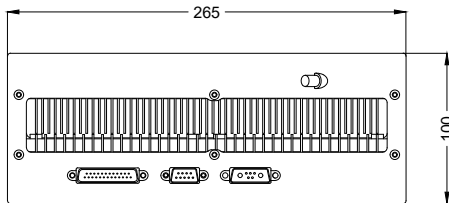
Wavelength	1064 nm	Beam diameter tolerance	1 mm
Nominal output power	200 W	Fiber length	5 m ^[2]
Laser operation mode	Pulsed	Cooling method	Air
Beam quality (M ²)	5 M ²	Aiming beam	Standard
Pulse frequency	1 – 3000 kHz	Adjustable pulse width	Yes
Full power frequency	40 – 3000 kHz	House keeping function	Standard
Max. peak pulse power	20 kW	Supply voltage DC	48 V
Pulse width	13 – 500 ns	Current consumption	14.6 A
Max. pulse energy @ pulse width	5 mJ @ 500 ns	Power consumption @ 20°C	700 W
Power instability Ø	5%	Operation temperature	0 – 40 °C
Power tuning range	0 – 100%	Storage temperature	-10 – 60 °C
Polarization	Random	Mechanical dimensions (W × D × H)	340 × 100 × 265 mm
Anti-reflective coating	Standard	Net weight	8.9 kg
Beam diameter D4ø	7 mm ^[1]		

Product customizations are possible on request.

^[1] Other available beam diameters: 2.5 mm – 10.5 mm

^[2] Other available fiber lengths: 3 m / 8 m





Laser product
Class 4

JPT

Manufacturer

Fiber laser

CL2-200-5-A

Dimensions are given in millimeters and are intended as reference values.
Binding information is available on request.

