

FIBER LASER

CL2-300-2-A

en | Data sheet | 1.0

- Specially developed for highly efficient cleaning and ablation
- High flexibility due to extremely compact and lightweight design < 9 kg
- Seamless integration into hand-held, portable and stationary laser cleaning systems

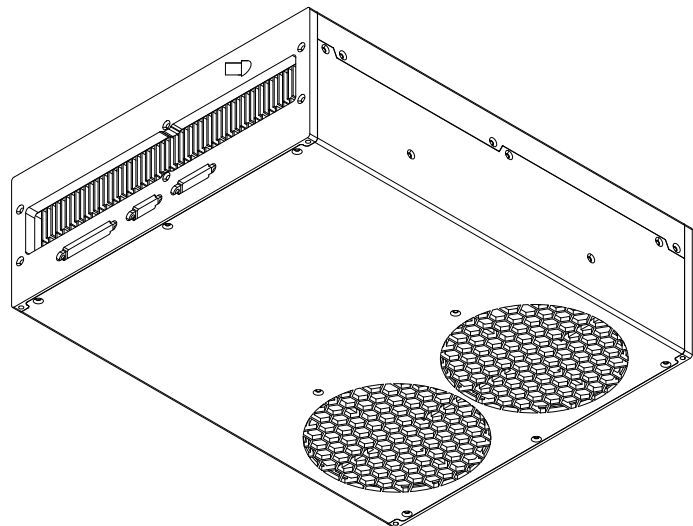
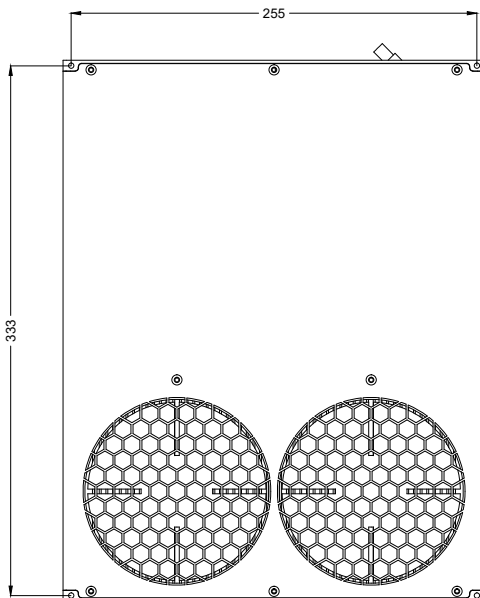
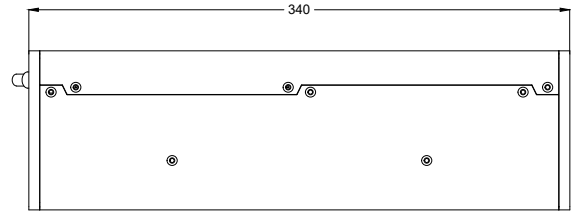
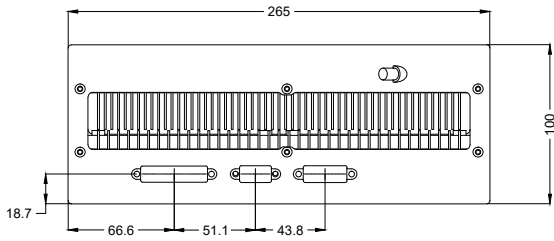


Wavelength	1064 nm	Fiber length	5 m ^[1]
Nominal output power	300 W	Cooling method	Air
Beam quality (\leq)	1.5 M ²	Aiming beam	Standard
Pulse frequency	1 – 3000 kHz	Adjustable pulse width	Yes
Full power frequency	150 – 3000 kHz	House keeping function	Standard
Max. peak pulse power	8 kW @ 500 ns	Supply voltage DC	48 V
Pulse width	13 – 500 ns	Current consumption	21 A
Max. pulse energy	2 mJ @ 500 ns	Power consumption @ 20°C	1000 W
Power instability \varnothing	5%	Operation temperature	0 – 40 °C
Power tuning range	0 – 100%	Storage temperature	-10 – 60 °C
Polarization	Random	Mechanical dimensions (W × D × H)	340 × 265 × 100 mm
Anti-reflective coating	Standard	Net weight	8.9 kg
Beam diameter D4 σ	6 mm		

Product customizations are possible on request.

^[1] Other available fiber lengths: 3 m / 8 m





Laser product
Class 4

JPT

Manufacturer

Fiber laser

CL2-300-2-A

Dimensions are given in millimeters and are intended as reference values.
Binding information is available on request.

