

FIBER LASER

CL2-300-5-A

en | Data sheet | 1.0

- Optimized beam quality for highly efficient laser cleaning and ablation
- High flexibility due to extremely compact and lightweight design < 9 kg
- Seamless integration into hand-held, portable and stationary laser cleaning systems



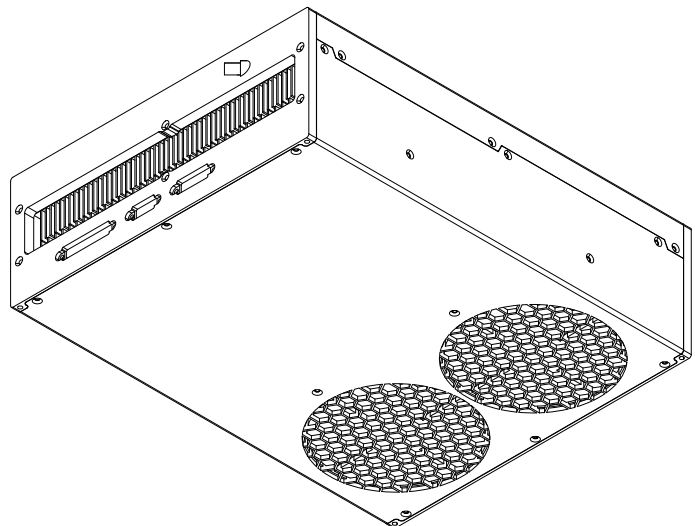
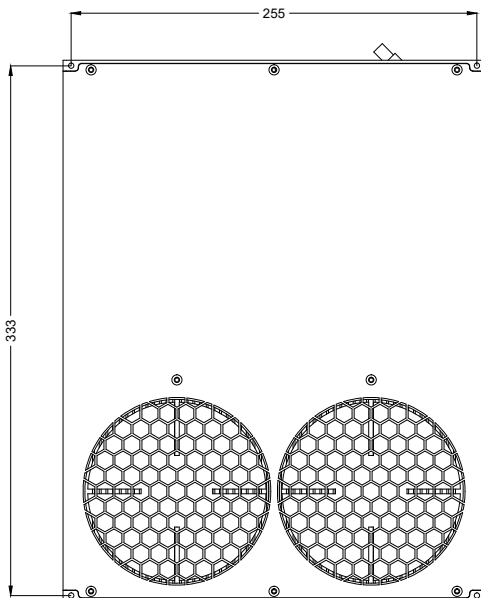
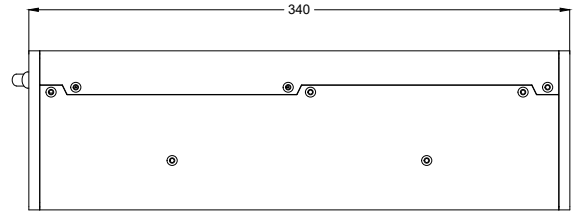
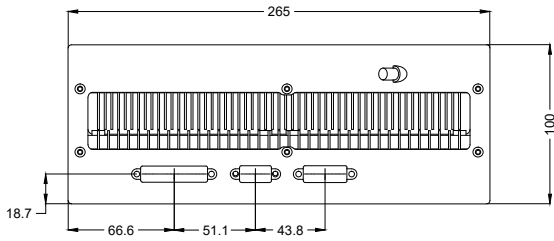
Wavelength	1064 nm
Nominal output power	300 W
Beam quality (\leq)	5 M ²
Pulse frequency	1 – 3000 kHz
Full power frequency	60 – 3000 kHz
Max. peak pulse power	20 kW @ 500 ns
Pulse width	13 – 500 ns
Max. pulse energy	5 mJ @ 500 ns
Power instability \varnothing	5%
Power tuning range	0 – 100%
Polarization	Random
Anti-reflective coating	Standard
Beam diameter D4 σ	7 mm

Fiber length	5 m ^[1]
Cooling method	Air
Aiming beam	Standard
Adjustable pulse width	Yes
House keeping function	Standard
Supply voltage DC	48 V
Current consumption	21 A
Power consumption @ 20°C	1000 W
Operation temperature	0 – 40 °C
Storage temperature	-10 – 60 °C
Mechanical dimensions (W × D × H)	340 × 265 × 100 mm
Net weight	8.9 kg

Product customizations are possible on request.

^[1] Other available fiber lengths: 3 m / 8 m





Laser product
Class 4

JPT

Manufacturer

Fiber laser

CL2-300-5-A

Dimensions are given in millimeters and are intended as reference values.
Binding information is available on request.

