

FIBER LASER

# M7-100-E2

en | Data sheet | 1.0.3

- Extremely compact 100 Watt MOPA fiber laser
- Maximum pulse energy 1.5 mJ @ 500 ns
- Frequencies up to 4000 kHz
- Adjustable pulse widths 2 – 500 ns
- Lightweight under 9 kg



Wavelength	1064 nm
Nominal output power	100 W
Laser operation mode	Pulsed
Beam quality ( $\leq$ )	1.6 M <sup>2</sup>
Pulse frequency	1 – 4000 kHz
Full power frequency	67 – 4000 kHz
Max. peak pulse power	11 kW
Pulse width	2 – 500 ns
Max. pulse energy	1.5 mJ @ 500 ns
Power instability $\emptyset$	5%
Power tuning range	0 – 100%
Polarization	Random
Anti-reflective coating	Standard

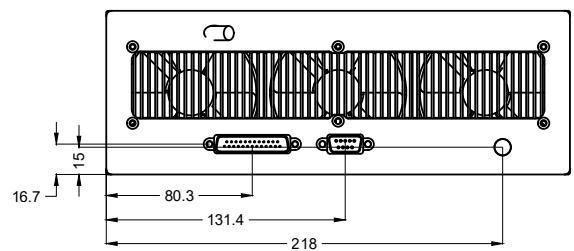
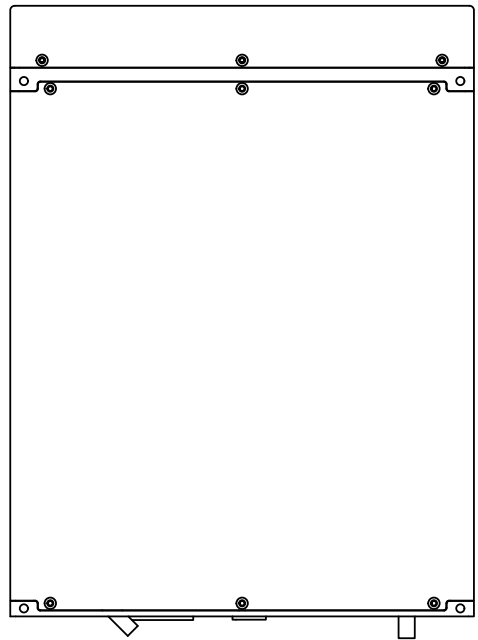
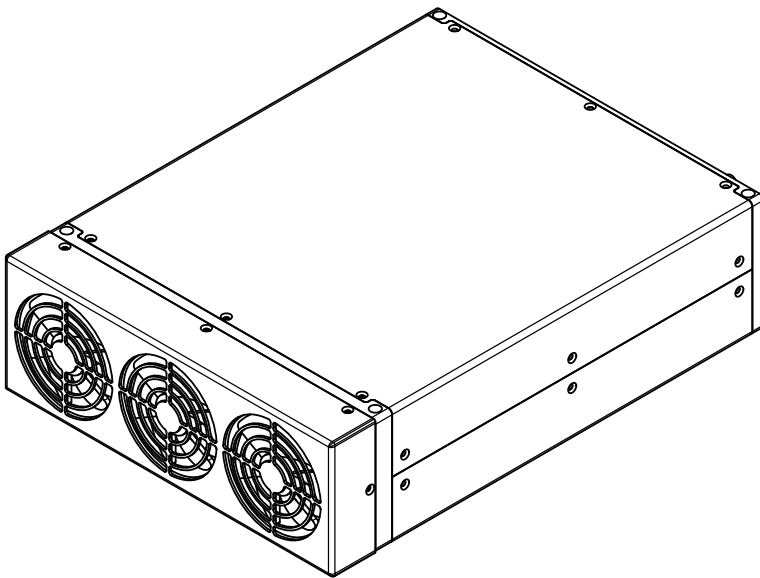
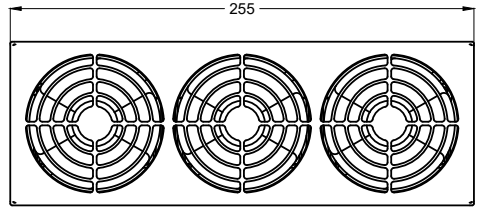
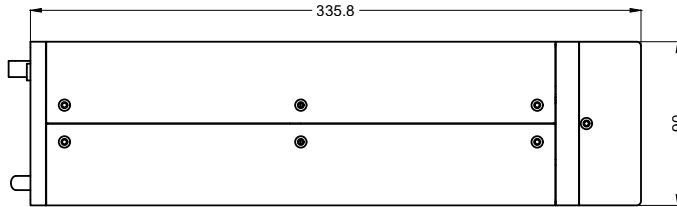
Beam diameter D4 $\sigma$	7 mm <sup>[1]</sup>
Fiber length	3 m <sup>[2]</sup>
Cooling method	Air
Aiming beam	Standard
Adjustable pulse width	Yes
House keeping function	Standard
Supply voltage DC	24 V
Current consumption	18 A
Power consumption @ 20°C	440 W
Operation temperature	0 – 40 °C
Storage temperature	-10 – 60 °C
Mechanical dimensions (W × D × H)	336 × 90 × 255 mm
Net weight	8.5 kg

Product customizations are possible on request.

<sup>[1]</sup> Other available beam diameters: 2.5 mm / 3.5 mm / 5 mm / 10.5 mm

<sup>[2]</sup> Other available fiber lengths: 2 m / 5 m





Laser product  
Class 4

Fiber laser

M7-100-E2

Dimensions are given in millimeters and are intended as reference values.  
Binding information is available on request.

