

FIBER LASER

M7-200-E2

en | Data sheet | 1.0.4

- Extremely compact 200 Watt MOPA fiber laser
- Maximum pulse energy 1.5 mJ @ 500 ns
- Frequencies up to 4000 kHz
- Adjustable pulse widths 2 – 500 ns
- Lightweight under 12 kg



Wavelength	1064 nm
Nominal output power	200 W
Laser operation mode	Pulsed
Beam quality (\leq)	1.6 M ²
Pulse frequency	1 – 4000 kHz
Full power frequency	130 – 4000 kHz
Max. peak pulse power	9 kW
Pulse width	2 – 500 ns
Max. pulse energy	1.5 mJ @ 500 ns
Power instability \varnothing	5%
Power tuning range	0 – 100%
Polarization	Random
Anti-reflective coating	Standard

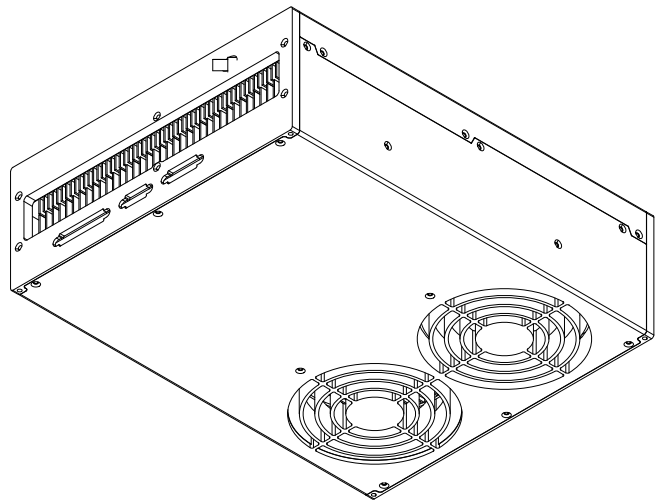
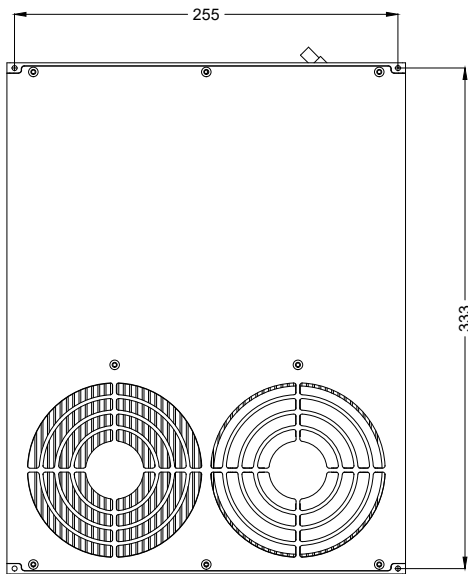
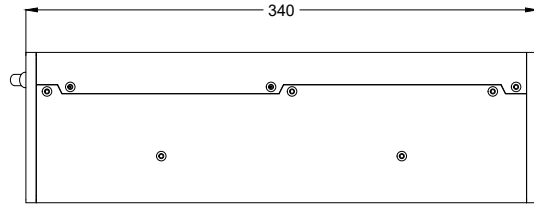
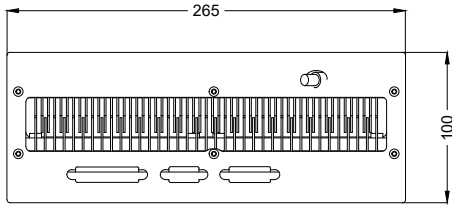
Beam diameter D4 σ	7 mm ^[1]
Fiber length	5 m ^[2]
Cooling method	Air
Aiming beam	Standard
Adjustable pulse width	Yes
House keeping function	Standard
Supply voltage AC	48 V
Current consumption	14.6 A
Power consumption @ 20°C	830 W
Operation temperature	0 – 40 °C
Storage temperature	-10 – 60 °C
Mechanical dimensions (W × D × H)	340 × 100 × 265 mm
Net weight	10.5 kg

Product customizations are possible on request.

^[1] Other available beam diameters: 2.5 mm / 3.5 mm / 5 mm / 10.5 mm

^[2] Other available fiber lengths: 2 m / 3 m





Laser product
Class 4

JPT

Manufacturer

Fiber laser

M7-200-E2

Dimensions are given in millimeters and are intended as reference values.
Binding information is available on request.

