

FIBER LASER

# M7-200E

en | Data sheet | 1.1.2

- Long-life 200 Watt MOPA fiber laser
- Pulse width 2 – 500 ns
- Frequencies up to 4000 kHz
- Pulsed operation and CW mode



Wavelength	1064 nm
Nominal output power	200 W
Laser operation mode	Pulsed
Beam quality ( $\leq$ )	1.6 M <sup>2</sup>
Pulse frequency	1 – 4000 kHz
Full power frequency	130 – 4000 kHz
Max. peak pulse power	18 kW
Pulse width	2 – 500 ns
Max. pulse energy	1.5 mJ @500 ns
Power instability $\varnothing$	5%
Power tuning range	0 – 100%
Polarization	Random
Anti-reflective coating	Standard
Beam diameter D4 $\sigma$	7 mm <sup>[1]</sup>

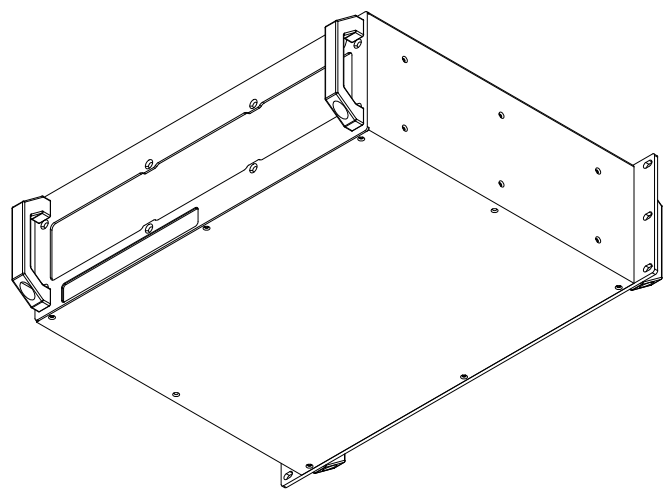
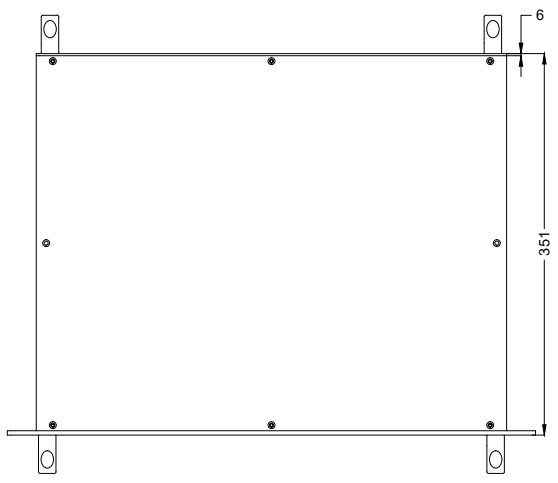
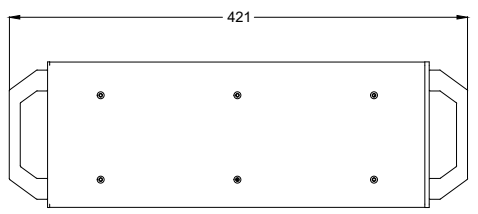
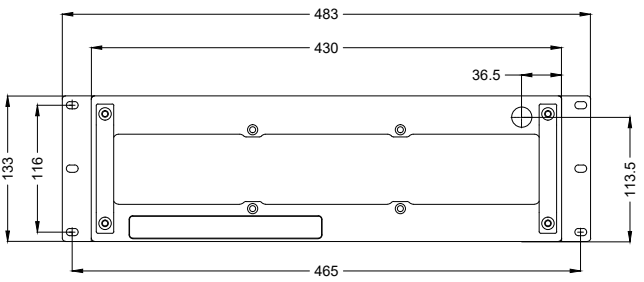
Fiber length	3 m <sup>[2]</sup>
Typical lifetime diodes	80000 h
Cooling method	Air
Aiming beam	Standard
Adjustable pulse width	Yes
House keeping function	Standard
Supply voltage DC	48 V
Current consumption	18.75 A
Power consumption @ 20°C	900 W
Operation temperature	0 – 40 °C
Storage temperature	-10 – 60 °C
Mechanical dimensions (W × D × H)	483 × 351 × 133 mm
Net weight	26 kg

Product customizations are possible on request.

<sup>[1]</sup> Other available beam diameters: 2.5 mm – 10.5 mm

<sup>[2]</sup> Other available fiber lengths: 2 m / 5 m





**JPT**

Manufacturer

Fiber laser

M7-200E

Dimensions are given in millimeters and are intended as reference values.  
Binding information is available on request.

