

FIBER LASER

M7-200L-E

en | Data sheet | 1.0.2

- Long-life 200 Watt MOPA fiber laser
- Adjustable pulse widths 2 – 500 ns
- Maximum pulse energy 2 mJ
- Frequencies up to 4000 kHz
- Pulsed operation and CW mode



Wavelength	1064 nm
Nominal output power	200 W
Laser operation mode	Pulsed
Beam quality (\leq)	1.8 M ²
Pulse frequency	1 – 4000 kHz
Full power frequency	100 – 4000 kHz
Max. peak pulse power	8 kW
Pulse width	2 – 500 ns
Max. pulse energy	2 mJ @ 500 ns
Power instability \emptyset	5%
Power tuning range	0 – 100%
Polarization	Random
Anti-reflective coating	Standard
Beam diameter D4 σ	8 mm ^[1]

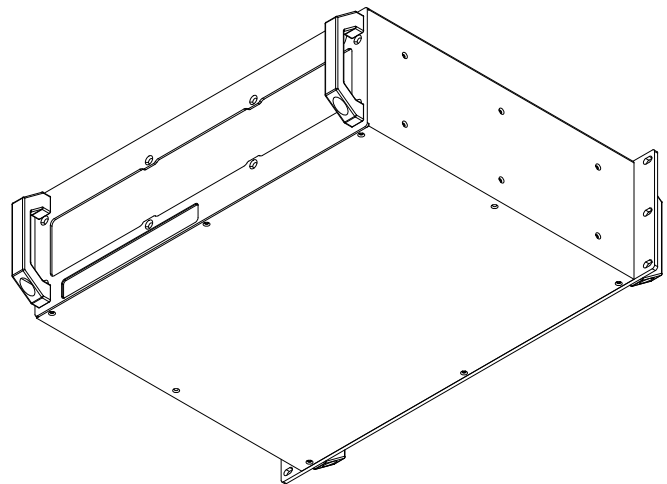
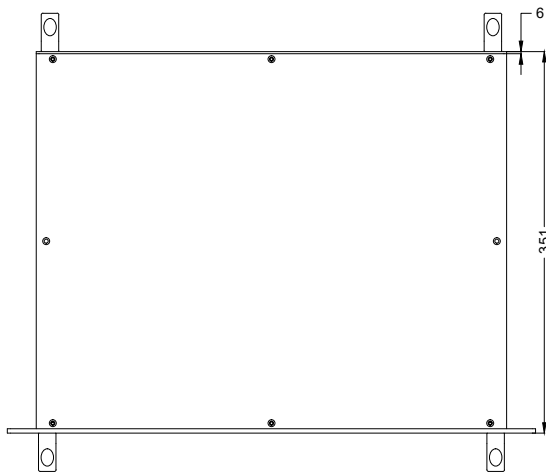
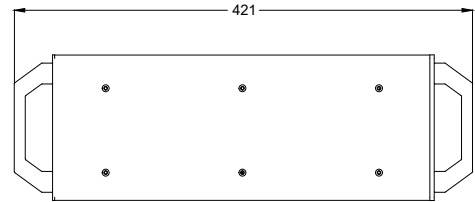
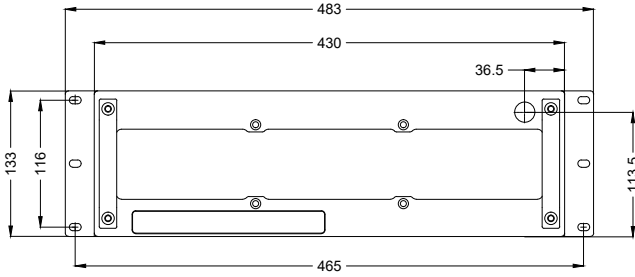
Fiber length	3 m ^[2]
Typical lifetime diodes	80000 h
Cooling method	Air
Aiming beam	Standard
Adjustable pulse width	Yes
House keeping function	Standard
Supply voltage AC	48 V
Current consumption	19,79 A
Power consumption @ 20°C	950 W
Operation temperature	0 – 40 °C
Storage temperature	-10 – 60 °C
Mechanical dimensions (W × D × H)	483 × 133 × 351 mm
Net weight	25.3 kg

Product customizations are possible on request.

^[1] Other available beam diameters: 2.5 mm – 10.5 mm

^[2] Other available fiber lengths: 2 m / 5 m





Laser product
Class 4

JPT

Manufacturer

Fiber laser

M7-200L-E

Dimensions are given in millimeters and are intended as reference values.
Binding information is available on request.

