

FIBER LASER

# M7-300M-E

en | Data sheet | 1.0.1

- Long-life 300 Watt MOPA fiber laser
- Adjustable pulse widths 2 – 500 ns
- Frequencies up to 4000 kHz
- Pulsed operation and CW mode



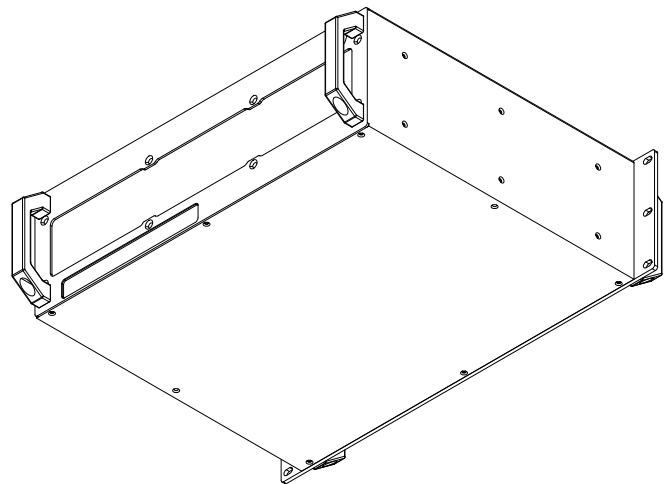
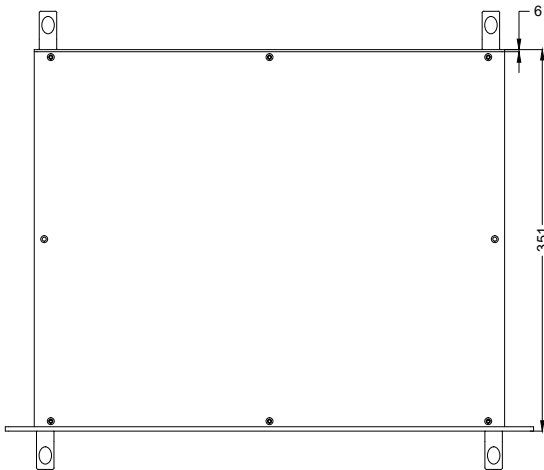
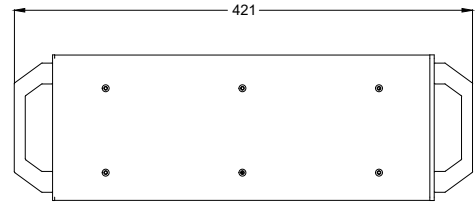
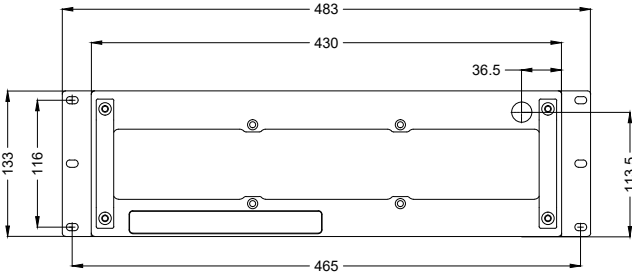
Wavelength	1064 nm	Fiber length	5 m <sup>[2]</sup>
Nominal output power	300 W	Typical lifetime diodes	80000 h
Laser operation mode	Pulsed	Cooling method	Air
Beam quality ( $\leq$ )	1.6 M <sup>2</sup>	Aiming beam	Standard
Pulse frequency	1 – 4000 kHz	Adjustable pulse width	Yes
Full power frequency	190 – 4000 kHz	House keeping function	Standard
Max. peak pulse power	7 kW	Supply voltage AC	48 V
Pulse width	2 – 500 ns	Current consumption	27 A
Max. pulse energy	1.5 mJ @ 500 ns	Power consumption @ 20°C	1400 W
Power instability $\emptyset$	5%	Operation temperature	0 – 40 °C
Power tuning range	0 – 100%	Storage temperature	-10 – 60 °C
Polarization	Random	Mechanical dimensions (W × D × H)	483 × 133 × 351 mm
Anti-reflective coating	Standard	Net weight	25.3 kg
Beam diameter D4 $\sigma$	7 mm <sup>[1]</sup>		

Product customizations are possible on request.

<sup>[1]</sup> Other available beam diameters: 2.5 mm – 10,5 mm

<sup>[2]</sup> Other available fiber lengths: 2 m / 3 m





Laser product  
Class 4

**JPT**

Manufacturer

Fiber laser

M7-300M-E

Dimensions are given in millimeters and are intended as reference values.  
Binding information is available on request.

