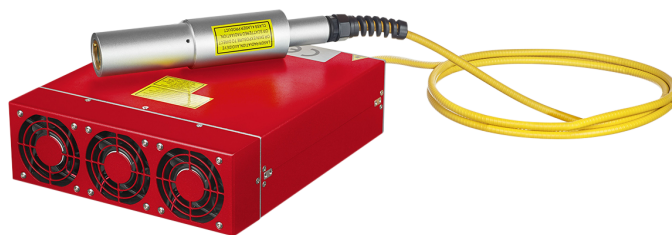


FIBER LASER

# M7-30E

en | Data sheet | 1.1.4

- Long-life 30 Watt MOPA fiber laser
- Adjustable pulse width 2 – 500 ns
- Frequencies up to 4000 kHz
- Highly dynamic responsiveness
- Very compact design



Wavelength	1064 nm
Nominal output power	30 W
Laser operation mode	Pulsed
Beam quality ( $\leq$ )	1.4 M <sup>2</sup>
Pulse frequency	1 – 4000 kHz
Full power frequency	37 – 4000 kHz
Max. peak pulse power	16 kw @ 45 ns
Pulse width	2 - 500 ns
Max. pulse energy	0.8 mJ @ 500 ns
Power instability $\emptyset$	5%
Power tuning range	0 – 100%
Polarization	Random
Anti-reflective coating	Standard
Beam diameter D4 $\sigma$	7 mm <sup>[1]</sup>

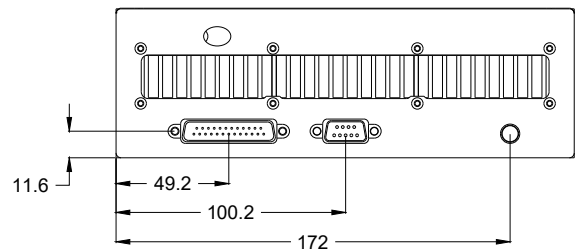
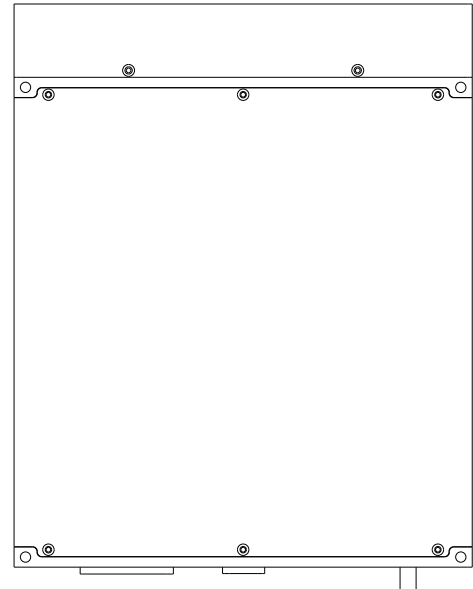
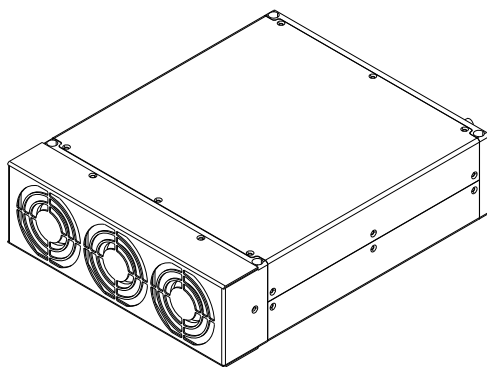
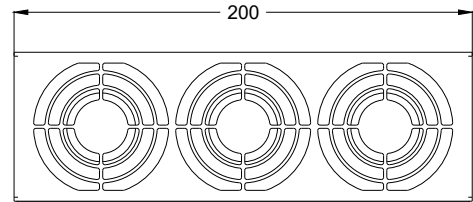
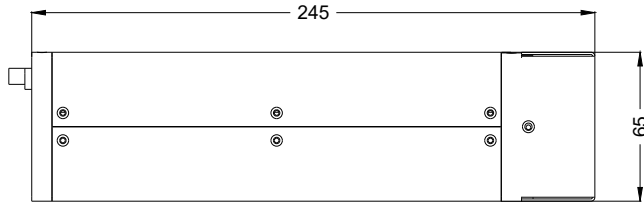
Fiber length	2 m <sup>[2]</sup>
Typical lifetime diodes	80000 h
Cooling method	Air
Aiming beam	Standard
Adjustable pulse width	Yes
House keeping function	Standard
Supply voltage DC	24 V
Current consumption	7 A
Power consumption @ 20°C	180 W
Operation temperature	0 – 40 °C
Storage temperature	-10 – 60 °C
Mechanical dimensions (W × D × H)	200 × 65 × 245 mm
Net weight	5 kg

Product customizations are possible on request.

<sup>[1]</sup> Other available beam diameters: 2.5 mm – 10.5 mm

<sup>[2]</sup> Other available fiber lengths: 3 m / 5 m





Laser product  
Class 4

## JPT

Manufacturer

Fiber laser

M7-30E

Dimensions are given in millimeters and are intended as reference values.  
Binding information is available on request.

