

FIBER LASER

M7-350M-E

en | Data sheet | 1.0

- Long-life 350 Watt MOPA fiber laser
- Adjustable pulse widths 2 – 500 ns
- Frequencies up to 4000 kHz
- Beam quality $M^2 < 1.6$
- Pulsed operation and CW mode



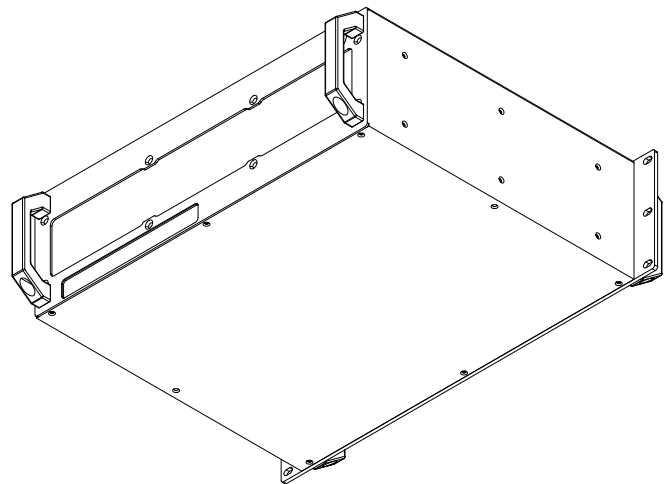
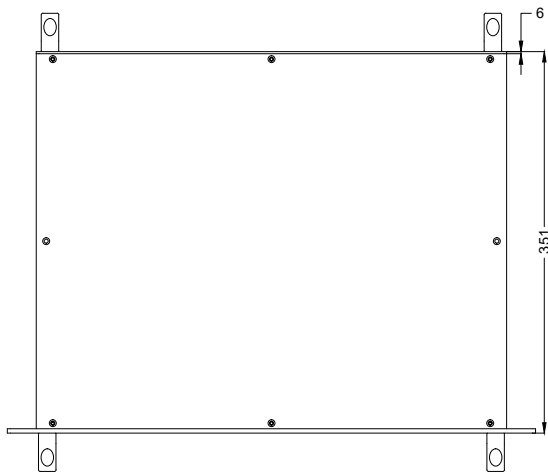
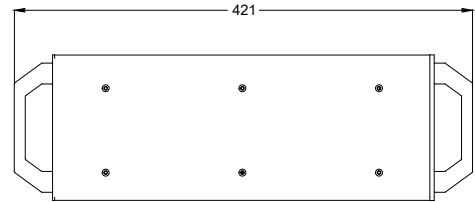
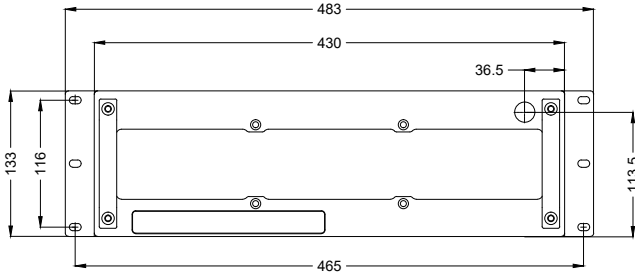
Wavelength	1064 nm	Beam diameter tolerance	7 mm
Nominal output power	350 W	Fiber length	5 m ^[2]
Laser operation mode	Pulsed	Cooling method	Air
Beam quality (ϵ)	1.6 M^2	Aiming beam	Standard
Pulse frequency	1 – 4000 kHz	Adjustable pulse width	Yes
Full power frequency	230 – 4000 kHz	House keeping function	Standard
Max. peak pulse power	6 kW	Supply voltage AC	48 V
Pulse width	2 – 500 ns	Current consumption	29.17 A
Max. pulse energy @ pulse width	1.5 mJ @ 500 ns	Power consumption @ 20°C	1400 W
Power instability \emptyset	5%	Operation temperature	0 – 40 °C
Power tuning range	0 – 100%	Storage temperature	-10 – 60 °C
Polarization	Random	Mechanical dimensions (W × D × H)	483 × 133 × 351 mm
Anti-reflective coating	Standard	Net weight	25.3 kg
Beam diameter D4 σ	7 mm ^[1]		

Product customizations are possible on request.

^[1] Other available beam diameters: 2.5 mm – 10.5 mm

^[2] Other available fiber lengths: 2 m / 3 m





Laser product
Class 4

JPT

Manufacturer

Fiber laser

M7-350M-E

Dimensions are given in millimeters and are intended as reference values.
Binding information is available on request.

