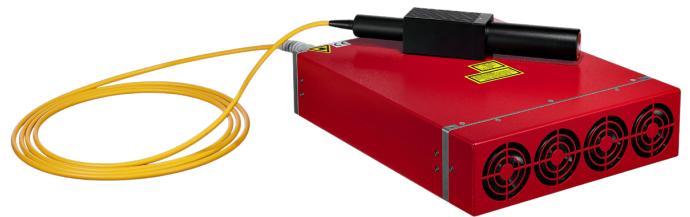


FIBER LASER

M7-60E

en | Data sheet | 1.1.2

- Long-life 60 Watt MOPA fiber laser
- Adjustable pulse width 2 – 500 ns
- Maximum pulse energy 1.5 mJ
- Frequencies up to 4000 kHz
- Pulsed operation and CW mode



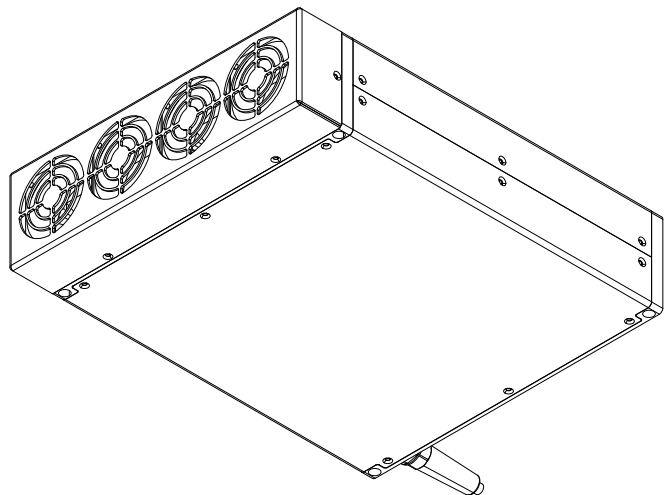
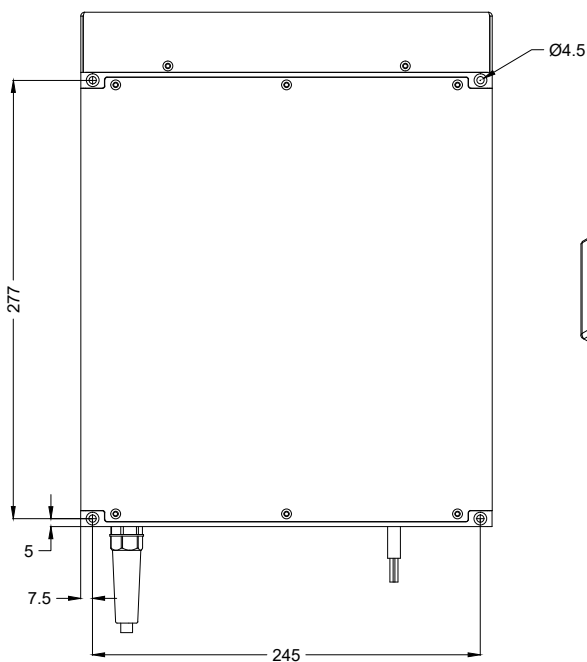
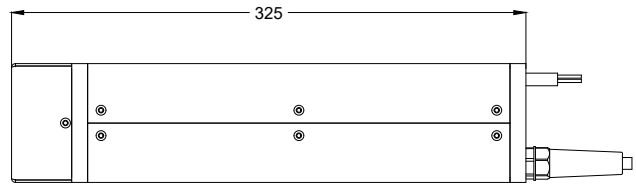
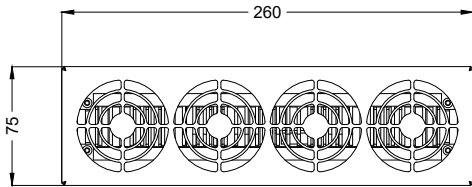
Wavelength	1064 nm	Fiber length	3 m ^[2]
Nominal output power	60 W	Typical lifetime diodes	80000 h
Laser operation mode	Pulsed	Cooling method	Air
Beam quality (\leq)	1.5 M ²	Aiming beam	Standard
Pulse frequency	1 – 4000 kHz	Adjustable pulse width	Yes
Full power frequency	40 – 4000 kHz	House keeping function	Standard
Max. peak pulse power	13 kw @ 2 ns	Supply voltage DC	24 V
Pulse width	2 – 500 ns	Current consumption	13 A
Max. pulse energy	1.5 mJ @ 500 ns	Power consumption @ 20°C	310 W
Power instability \emptyset	5%	Operation temperature	0 – 40 °C
Power tuning range	0 – 100%	Storage temperature	-10 – 60 °C
Polarization	Random	Mechanical dimensions (W × D × H)	260 × 75 × 325 mm
Anti-reflective coating	Standard	Net weight	8.2 kg
Beam diameter D4 σ	7 mm ^[1]		

Product customizations are possible on request.

^[1] Other available beam diameters: 2.5 mm – 10.5 mm

^[2] Other available fiber lengths: 2 m / 5 m





Laser product
Class 4

JPT

Manufacturer

Fiber laser

M7-60E

Dimensions are given in millimeters and are intended as reference values.
Binding information is available on request.

