

FIBER LASER

# M8-100-v2

en | Data sheet | 1.0

- Dynamic 100 Watt MOPA fiber laser
- High peak pulse power up to 250 kW
- Beam quality  $M^2 < 1.4$
- Variable adjustable pulse widths
- Low thermal impact

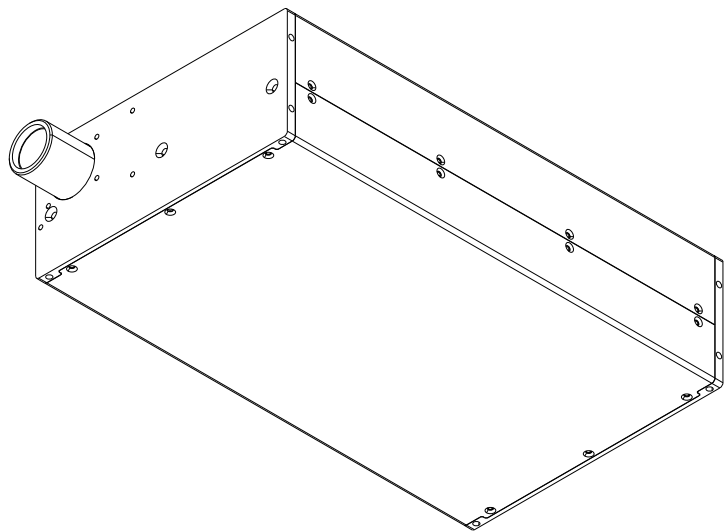
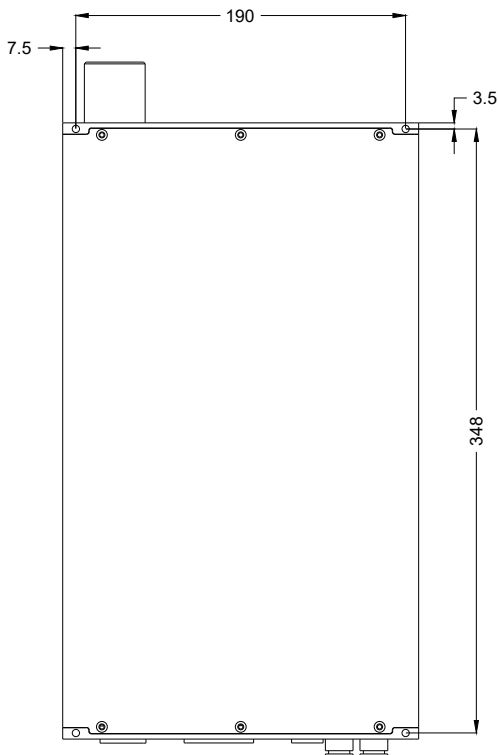
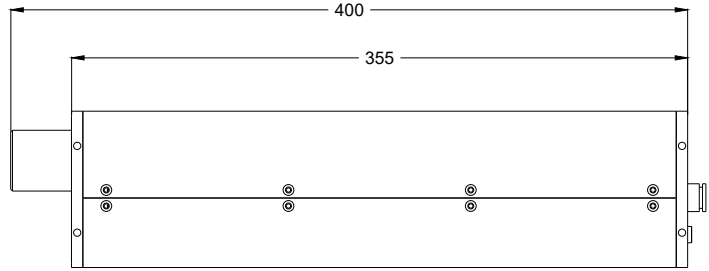
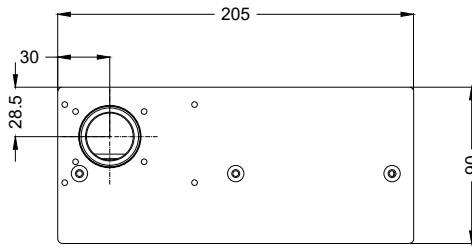


Wavelength	1064 nm	Cooling method	Water
Nominal output power	100 W	Cooling flowrate	3.5 l/min
Laser operation mode	Pulsed	Cooling power	400 W
Beam quality ( $\epsilon$ )	1.4 $M^2$	Aiming beam	Standard
Pulse frequency	1 – 4000 kHz	Adjustable pulse width	Yes
Full power frequency	70 – 4000 kHz	House keeping function	Standard
Max. peak pulse power	250 kW	Supply voltage DC	48 V
Pulse width	6 – 200 ns	Current consumption	10 A
Max. pulse energy	1.4 mJ @ 45 ns	Power consumption @ 20°C	480 W
Power instability $\emptyset$	5%	Operation temperature	25 – 31 °C
Power tuning range	0 – 100%	Storage temperature	-10 – 60 °C
Polarization	Random	Mechanical dimensions (W × D × H)	205 × 400 × 90 mm
Anti-reflective coating	Standard	Net weight	8.35 kg
Beam diameter D4 $\sigma$	11 mm <sup>[1]</sup>		

Product customizations are possible on request.

<sup>[1]</sup> Other available beam diameters: 3 mm





Laser product  
Class 4

**JPT**

Manufacturer

Fiber laser

M8-100-v2

Dimensions are given in millimeters and are intended as reference values.  
Binding information is available on request.

