

Q C W L A S E R

# QCW-150/1500MM-A

en | Data sheet | 1.1.2

- Multi-mode fiber core
- QCW and CW operation
- Peak power up to 1500 Watt
- Outstanding cost-effectiveness



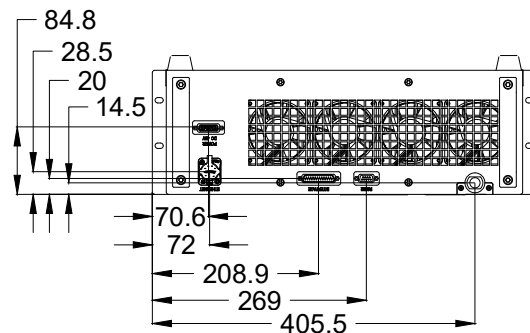
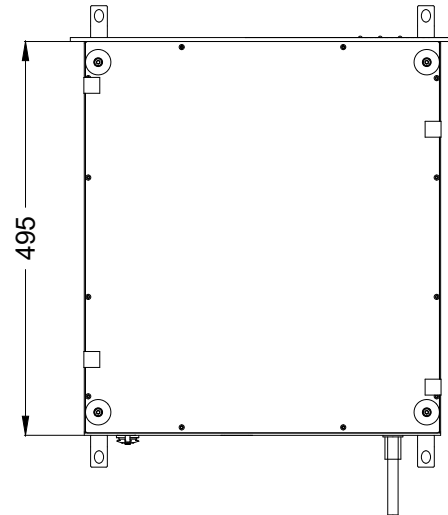
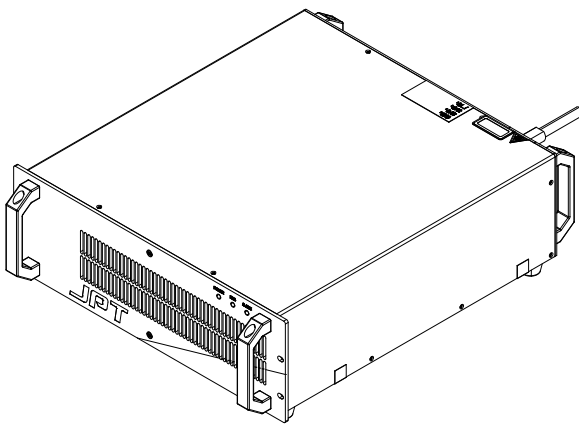
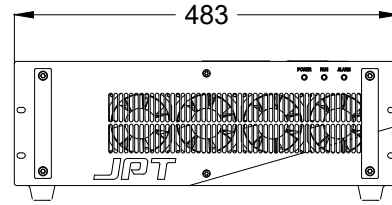
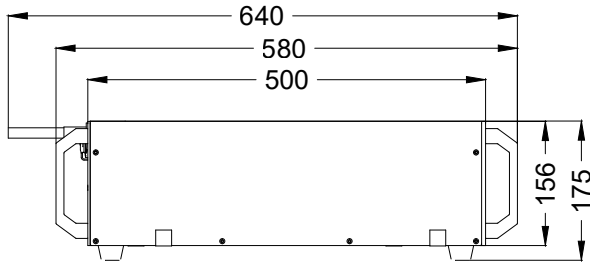
Wavelength	1080 nm	Polarization	Random
Nominal output power	150 W	Fiber length	10 m <sup>[2]</sup>
Nominal output power (CW)	250 W	Cooling method	Air
Laser operation mode	QCW	Aiming beam	Standard
Beam parameter product (BPP)	4.5 mm*mrad	Output type	QBH
Fiber core diameter	100 µm <sup>[1]</sup>	Supply voltage DC	48 V
Max. peak pulse power	1500 W	Power consumption @ 20°C	1100 W
Pulse width	0.01 – 10 ms	Operation temperature	0 – 35 °C
Max. pulse energy	15 J	Storage temperature	-20 – 50 °C
Modulation frequency	1 – 10000 Hz	Mechanical dimensions (W × D × H)	500 × 175 × 483 mm
Power instability Ø	3%	Net weight	39 kg
Power tuning range	10 – 100%		

Product customizations are possible on request.

<sup>[1]</sup> Other available fiber core diameters: 50 µm

<sup>[2]</sup> Other available fiber lengths: 15 m / 20 m / 25 m





Laser product  
Class 4

## JPT

Manufacturer

QCW laser

QCW-150/1500MM-A

Dimensions are given in millimeters and are intended as reference values.  
Binding information is available on request.

