

Q C W L A S E R

QCW-300/3000MM-A

en | Data sheet | 1.1.2

- Multi-mode fiber core
- QCW and CW operation
- Peak power up to 3000 Watt
- Outstanding cost-effectiveness



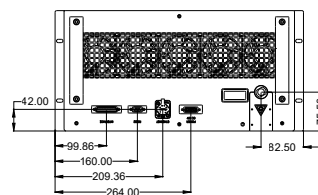
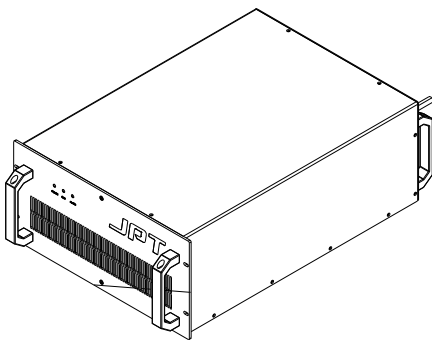
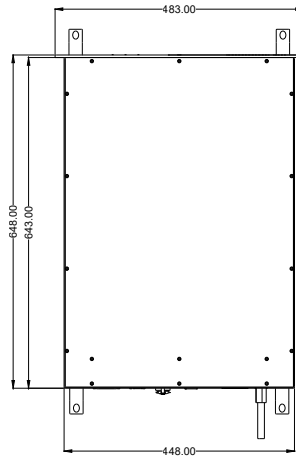
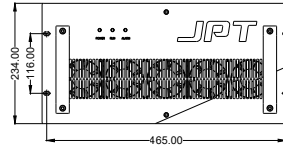
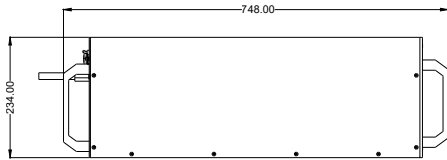
Wavelength	1080 nm	Polarization	Random
Nominal output power	300 W	Fiber length	10 m ^[2]
Nominal output power (CW)	400 W	Cooling method	Air
Laser operation mode	QCW	Aiming beam	Standard
Beam parameter product (BPP)	3 mm*mrad	Output type	QBH
Fiber core diameter	50 µm ^[1]	Supply voltage DC	48 V
Max. peak pulse power	3000 W	Power consumption @ 20°C	1900 W
Pulse width	0.01 – 10 ms	Operation temperature	0 – 35 °C
Max. pulse energy	30 J	Storage temperature	-20 – 50 °C
Modulation frequency	1 – 10000 Hz	Mechanical dimensions (W × D × H)	648 × 234 × 483 mm
Power instability Ø	3%	Net weight	65 kg
Power tuning range	10 – 100%		

Product customizations are possible on request.

^[1] Other available fiber core diameters: 100 µm

^[2] Other available fiber lengths: 15 m / 20 m / 25 m





JPT

Manufacturer

QCW laser

QCW-300/3000MM-A

Dimensions are given in millimeters and are intended as reference values.
Binding information is available on request.

