

2 D SCAN HEAD

# BS-14

en | Data sheet | 1.1.1

- 2-axis laser deflection unit, aperture 14 mm
- Laser power up to 500 Watt, CW 1064 nm
- High precision for industrial use
- Outstanding cost-effectiveness

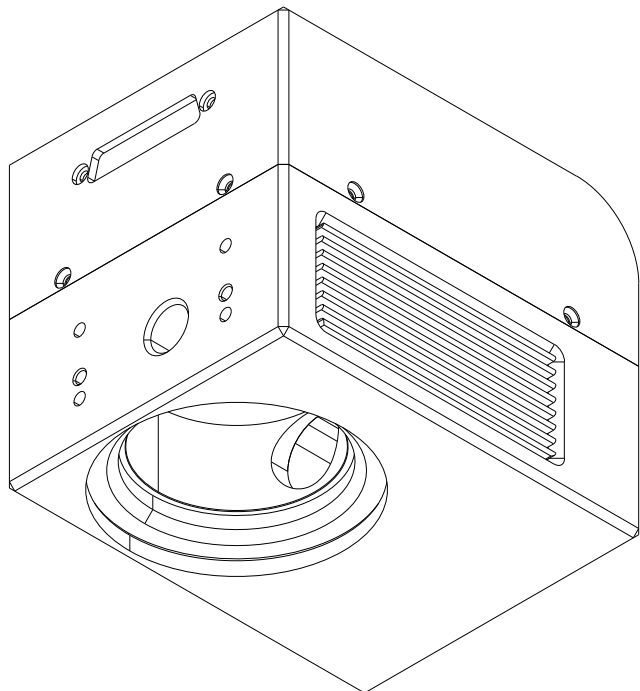
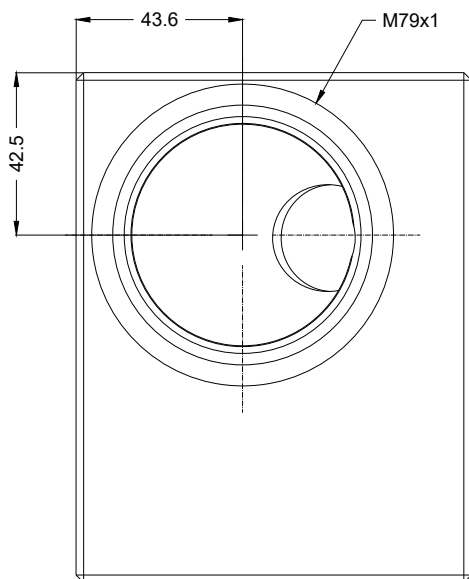
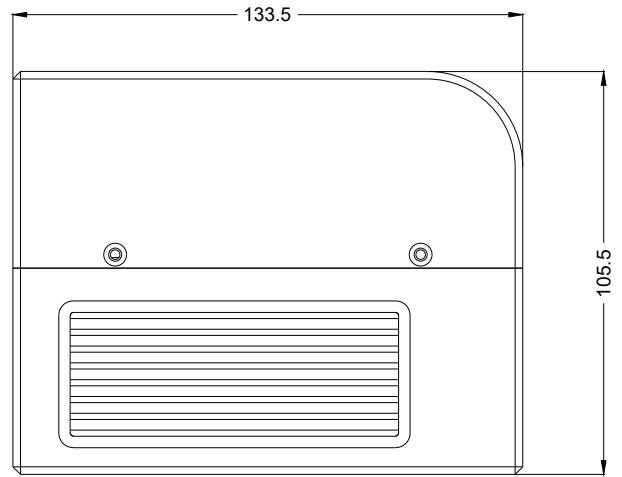
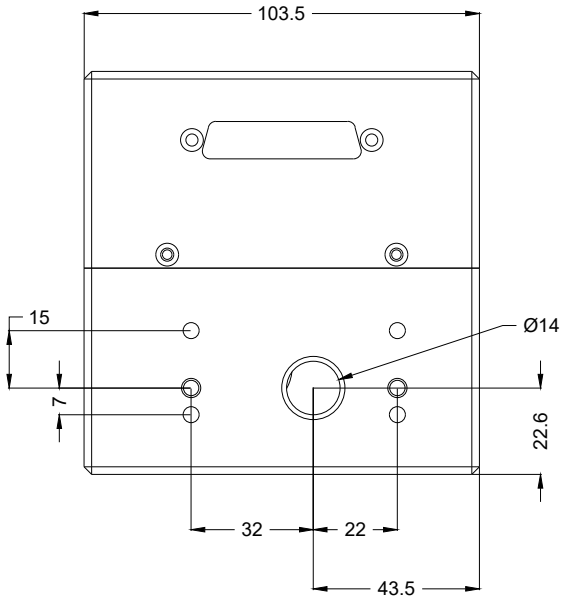


Wavelength	1064 nm <sup>[1]</sup>	Long-term-drift per axis (8 h)	300 µrad
Input beam diameter	14 mm	Cooling method	Passive
Tracking delay	0.24 ms	Control interface	XY2-100-Standard
Writing speed	450 cps	Humidity	80% <sup>[2]</sup>
Max. optical deflection	0.393 rad	Supply voltage DC	15 V
Resolution	12 µrad	Current consumption	3 A
Repeatability (RMS)	22 µrad	Operation temperature	10 – 40 °C
Positioning noise (RMS)	4.5 µrad	Storage temperature	-20 – 60 °C
Max. gain-drift per axis	50 ppm/K	Mechanical dimensions (W × D × H)	103 × 133.5 × 105.5 mm
Max. offset-drift per axis	30 µrad/K	Net weight	2.4 kg

<sup>[1]</sup> Other available wavelengths: 355 / 450 / 532 / 10600 nm

<sup>[2]</sup> Non condensing





2D scan head

BS-14

Dimensions are given in millimeters and are intended as reference values.  
Binding information is available on request.

