

2 D SCAN HEAD

# BS-20-W

en | Data sheet | 1.1.1

- 2-axis laser deflection unit, aperture 20 mm
- Laser power up to 2000 Watt, CW 1064 nm
- Temperature-optimized, water-cooled design
- Outstanding cost-effectiveness

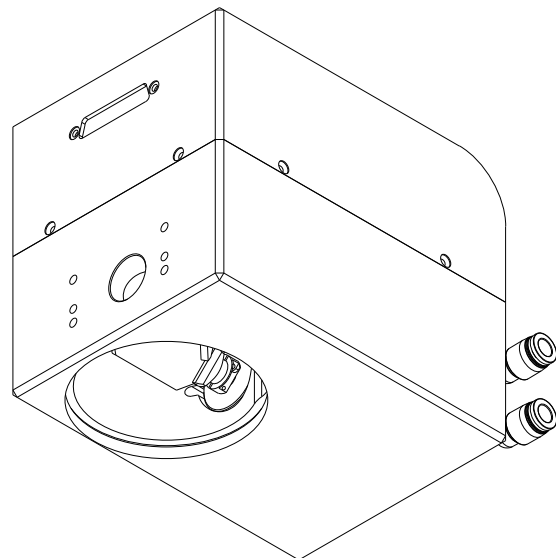
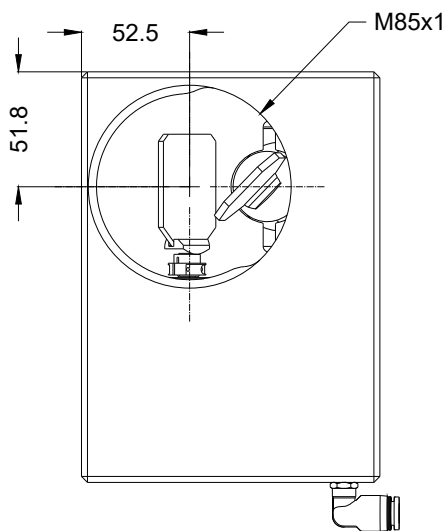
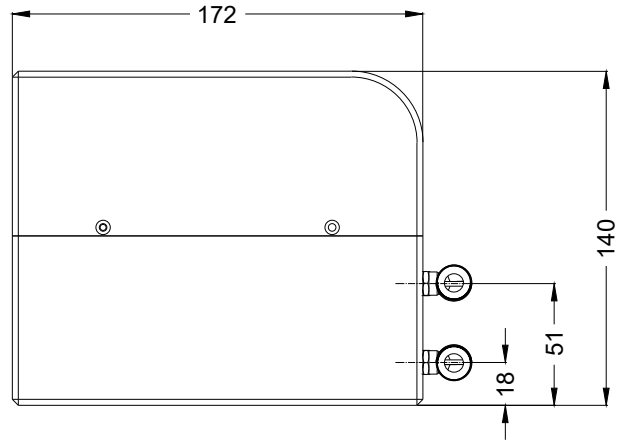
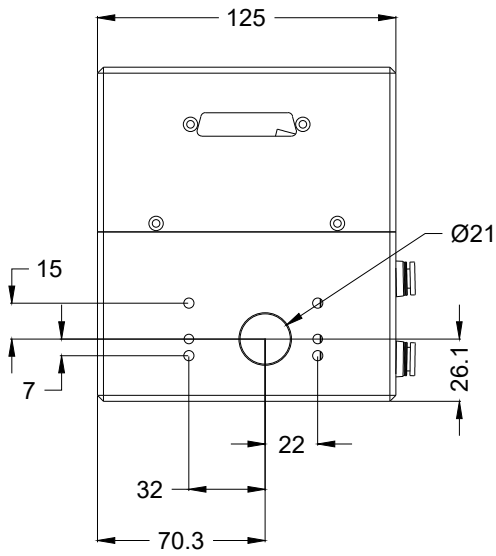


Wavelength	1030 – 1080 nm
Input beam diameter	20 mm
Tracking delay	0.38 ms
Writing speed	320 cps
Marking speed	2 m/s
Max. optical deflection	0.393 rad
Resolution	12 $\mu$ rad
Repeatability (RMS)	22 $\mu$ rad
Positioning noise (RMS)	4.5 $\mu$ rad
Max. gain-drift per axis	50 ppm/K
Max. offset-drift per axis	30 $\mu$ rad/K

Long-term-drift per axis (8 h)	200 $\mu$ rad
Cooling method	Water
Cooling power	3 l/min
Control interface	XY2-100-Standard
Humidity	80% <sup>[1]</sup>
Supply voltage DC	15 V
Current consumption	5 A
Operation temperature	10 – 40 °C
Storage temperature	-20 – 60 °C
Mechanical dimensions (W × D × H)	125 × 172 × 140 mm
Net weight	3 kg

<sup>[1]</sup> Non condensing





2D scan head

BS-20-W

Dimensions are given in millimeters and are intended as reference values.  
Binding information is available on request.

