

2 D S C A N H E A D

PS-3000-Weld

en | Data sheet | 1.0

- Integrated solution with high power compatibility
- Specifically developed for demanding welding applications
- High dynamics, positioning accuracy, low temperature drift as well as excellent long-term stability



Wavelength	1030 - 1080 nm	Long-term-drift per axis (8 h) (<)	80 µrad
Input beam diameter	30 mm	Cooling method	Water
Max. laser power @ 1064 nm CW (<)	3000 W	Cooling flowrate	3 l/min
Tracking delay	0.4 ms	Control interface	XY2-100
Positioning speed (<)	14.5 m/s	Supply voltage DC	15 V
Marking speed	2.1 mm/s	Current consumption	10 A
Max. optical deflection (±)	0.35 rad	Operation temperature	15 – 35 °C
Resolution	12 µrad	Storage temperature	-35 – 60 °C
Repeatability (RMS) (<)	2 µrad	Mechanical dimensions (W × D × H)	222 × 504 × 389 mm
Max. gain-drift per axis	20 ppm/K	Net weight	17 kg
Max. offset-drift per axis	20 µrad/K		

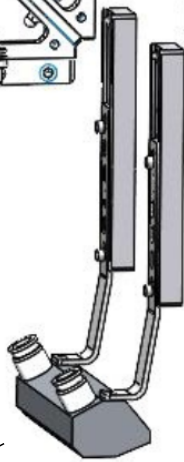
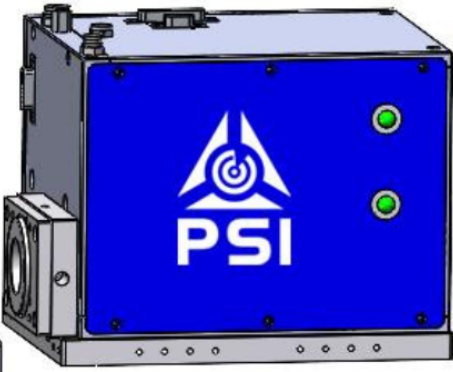
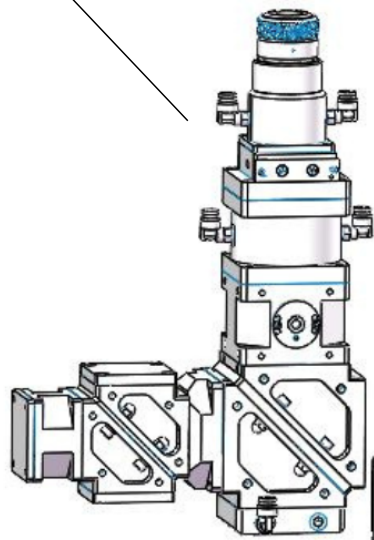
Project-specific customizations, including the selection and configuration of F-Theta lens, Air-Knife system, collimator and camera monitoring, are available on request. The technical parameters vary depending on the selected configuration.

Information is subject to change without notice. Product photos are non-binding and may show customized features.



Collimator

Galvanometer Scanhead



Air Knife

F-Theta Lens

		2D scan head
		PS-3000-Weld

Dimensions are given in millimeters and are intended as reference values. Binding information is available on request.