

2 D SCAN HEAD

# PSH-14-A-W

en | Data sheet | 1.0

- Premium 2-axis laser scan head / 14 mm
- For demanding laser applications
- Superior precision and minimum drift
- Water-cooled up to 500 Watt, CW 1064 nm



Wavelength	1064 nm <sup>[1]</sup>
Input beam diameter	14 mm
Tracking delay	0.15 ms
Writing speed	750 cps <sup>[2]</sup>
Marking speed	3 mm/s
Max. optical deflection ( $\pm$ )	0.35 rad
Resolution	12 $\mu$ rad
Repeatability (RMS) (<)	2 $\mu$ rad
Max. gain-drift per axis	15 ppm/K
Max. offset-drift per axis	50 $\mu$ rad/K

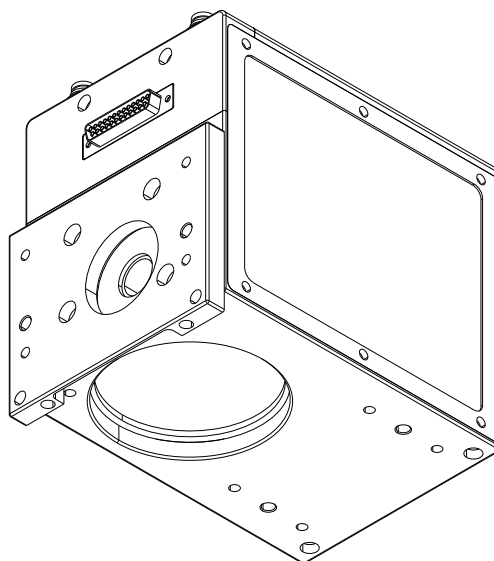
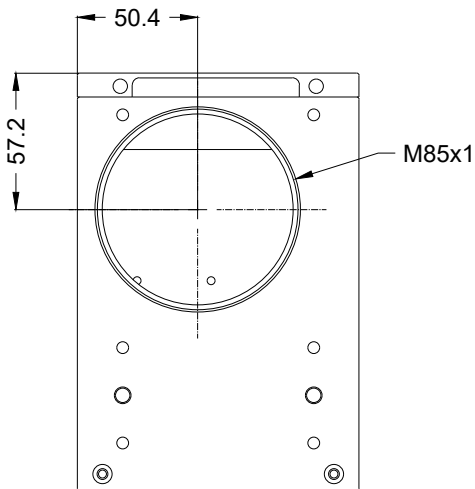
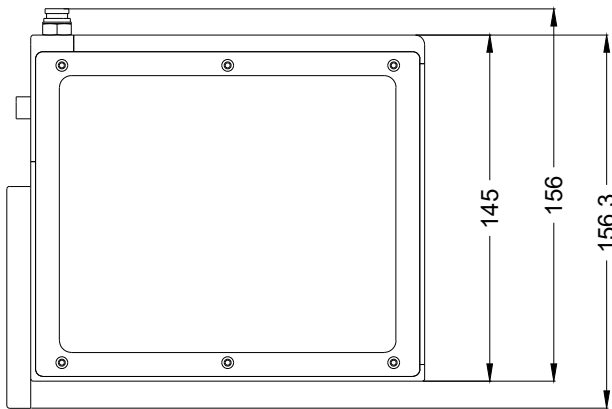
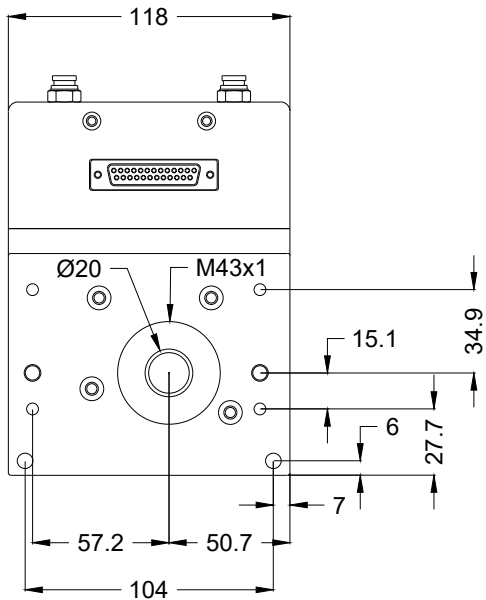
Long-term-drift per axis (8 h) (<)	50 $\mu$ rad
Cooling method	Water
Control interface	XY2-100
Humidity	80 % <sup>[3]</sup>
Supply voltage DC	15 V
Current consumption	5 A
Operation temperature	15 – 35 °C
Storage temperature	-35 – 60 °C
Mechanical dimensions (W x D x H)	118 x 165 x 145 mm
Net weight	4.74 kg

<sup>[1]</sup> Other available wavelengths: 355 / 532 nm

<sup>[2]</sup> f=160 / Hight 1 mm

<sup>[3]</sup> Non condensing





2D scan head

PSH-14-A-W

Dimensions are given in millimeters and are intended as reference values.  
Binding information is available on request.

