

2 D SCAN HEAD

PSH-14

en | Data sheet | 1.1

- Premium 2-axis laser scan head / 14 mm
- Highest precision with minimal drift
- Compact air-cooled design
- Designed for demanding laser applications

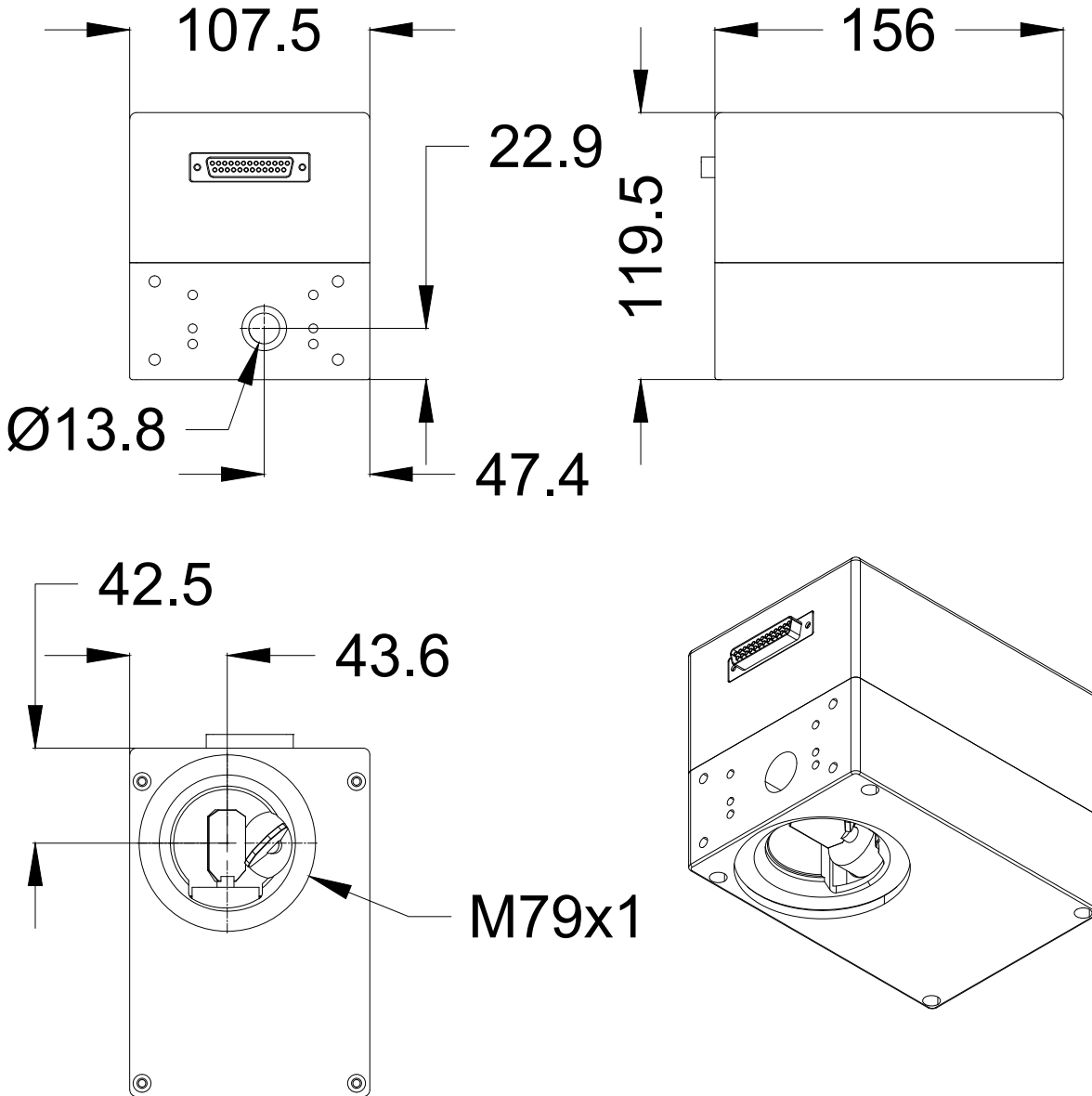


Wavelength	1030 - 1080 nm ^[1]	Long-term-drift per axis (8 h)	50 µrad
Input beam diameter	14 mm	Cooling method	Passive
Tracking delay	0.16 ms	Control interface	XY2-100-Standard
Writing speed	770 cps	Humidity	80% ^[2]
Max. optical deflection	0.418 rad	Supply voltage DC	15 V
Resolution	12 µrad	Current consumption	5 A
Repeatability (RMS)	2 µrad	Operation temperature	15 – 35 °C
Positioning noise (RMS)	2 µrad	Storage temperature	-10 – 60 °C
Max. gain-drift per axis	15 ppm/K	Mechanical dimensions (W × D × H)	107.5 × 156 × 119.5 mm
Max. offset-drift per axis	10 µrad/K	Net weight	3.2 kg

^[1] Other available wavelengths: 355 / 532 / 10600 nm

^[2] Non condensing





2D scan head

PSH-14

Dimensions are given in millimeters and are intended as reference values.
Binding information is available on request.

