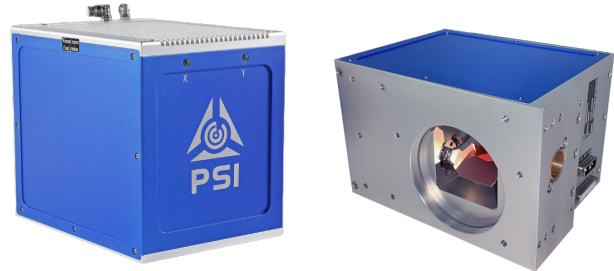


2 D SCAN HEAD

PSH-20-A-W-AM

en | Data sheet | 1.0

- Premium 2-axis laser scan head / 20 mm
- Developed for additive manufacturing
- Outstanding precision and minimum drift
- Water-cooled up to 1000 Watt, CW 1064 nm



Wavelength	1064 nm ^[1]
Input beam diameter	20 mm
Tracking delay	0.28 ms
Writing speed	400 cps ^[2]
Marking speed	2 m/s
Max. optical deflection (\pm)	0.35 rad
Resolution	12 μ rad
Repeatability (RMS) (<)	2 μ rad
Max. gain-drift per axis	15 ppm/K
Max. offset-drift per axis	15 μ rad/K

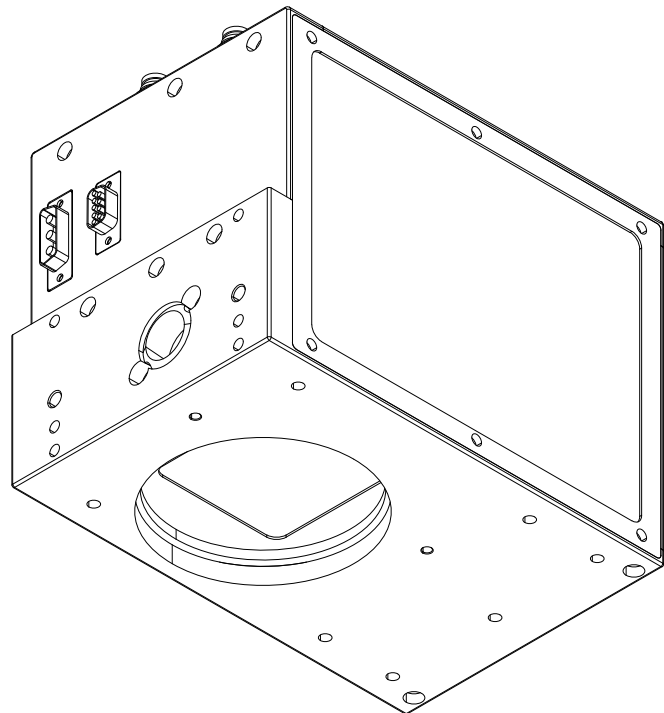
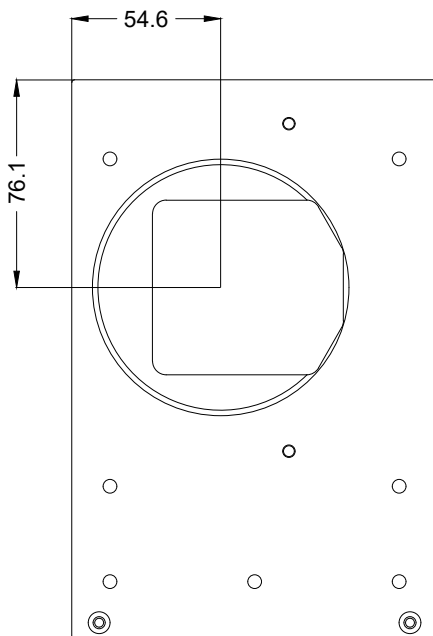
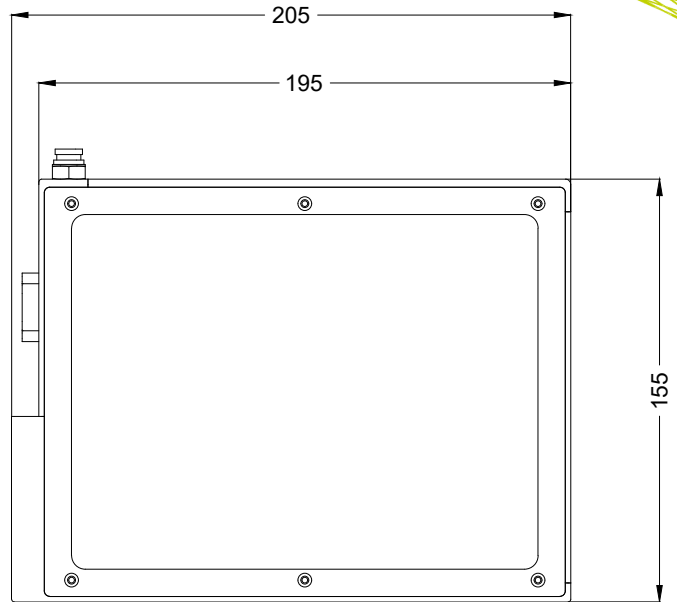
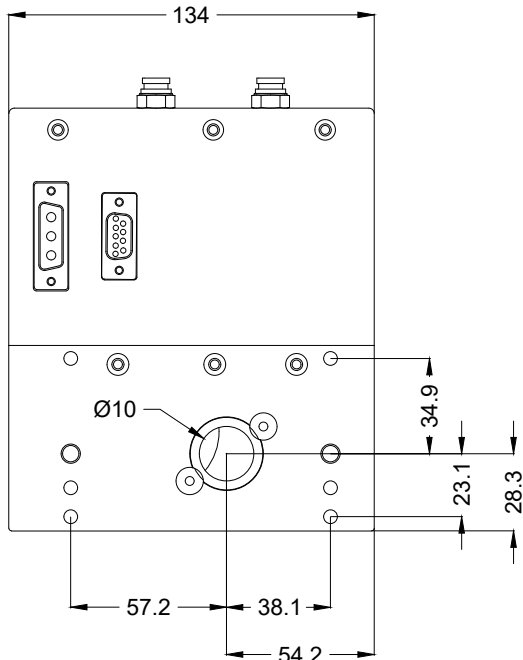
Long-term-drift per axis (8 h) (<)	40 μ rad
Cooling method	Water
Control interface	XY2-100
Humidity	80 % ^[3]
Supply voltage DC	15 V
Current consumption	5 A
Operation temperature	15 – 35 °C
Storage temperature	-35 – 60 °C
Mechanical dimensions (W x D x H)	134 x 205 x 155 mm
Net weight	6 kg

^[1] Other available wavelengths: 355 / 532 nm

^[2] f=160 / Hight 1 mm

^[3] Non condensing





2D scan head

PSH-20-A-W-AM

Dimensions are given in millimeters and are intended as reference values.
Binding information is available on request.

