

2 D SCAN HEAD

# PSH-30-H-W-8000

en | Data sheet | 1.1.1

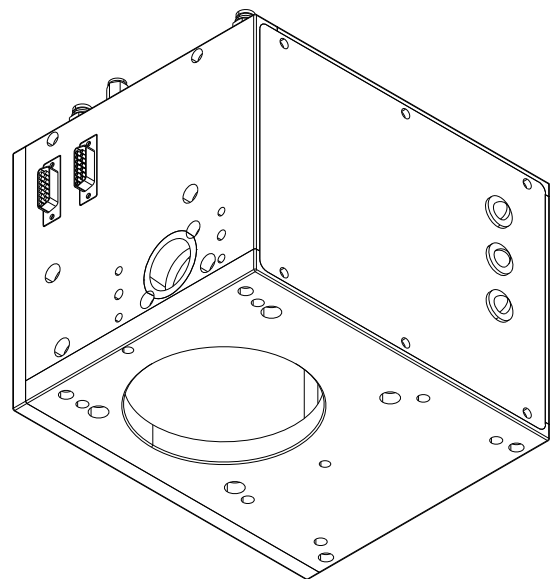
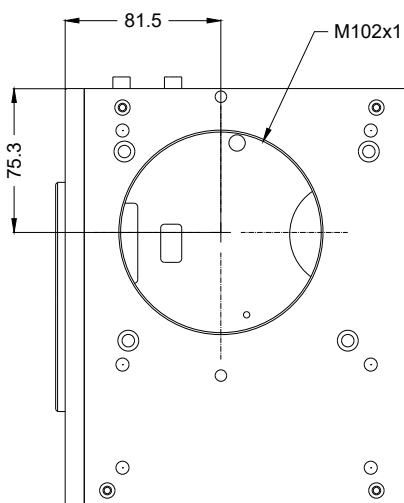
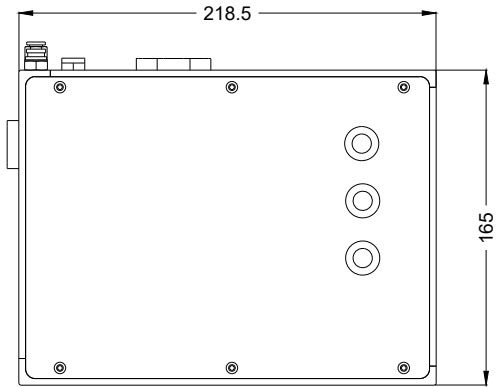
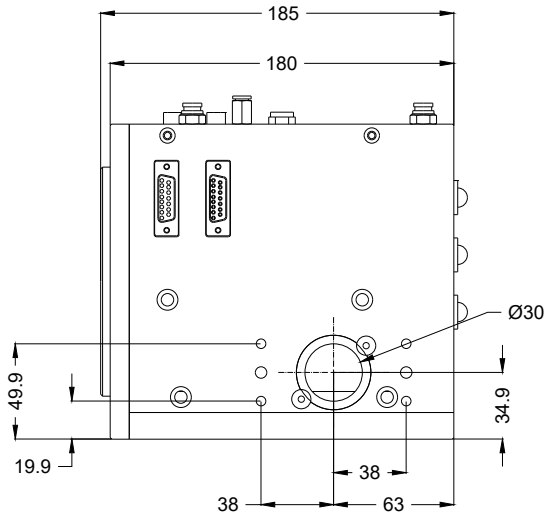
- Premium 2-axis laser scan head / 30 mm
- Laser powers up to 8 kW, CW 1064 nm
- Active air cooling of the deflection mirrors
- Highest precision with minimal drift



Wavelength	1030 – 1080 nm	Long-term-drift per axis (8 h)	80 µrad
Input beam diameter	30 mm	Cooling method	Water / Air flush
Tracking delay	0.5 ms	Cooling power	3 l/min
Writing speed	260 cps	Control interface	XY2-100-Standard
Marking speed	1 m/s	Humidity	80% <sup>[1]</sup>
Max. optical deflection	0.35 rad	Supply voltage DC	15 V
Resolution	12 µrad	Current consumption	10 A
Repeatability (RMS)	2 µrad	Operation temperature	15 – 35 °C
Positioning noise (RMS)	2 mrad	Storage temperature	-35 – 60 °C
Max. gain-drift per axis	20 ppm/K	Mechanical dimensions (W × D × H)	185 × 218.5 × 165 mm
Max. offset-drift per axis	20 µrad/k	Net weight	9.25 kg

<sup>[1]</sup> Non condensing





2D scan head

PSH-30-H-W-8000

Dimensions are given in millimeters and are intended as reference values.  
Binding information is available on request.

