

DPSS PICO LASER

PS-IR-20-W-AIO

en | Data sheet | 1.0.1

- Economical 20 Watt ps-laser
- Ultra-short pulse widths < 10 ps at 1064 nm
- Brilliant optical characteristics
- Extremely high peak pulse power

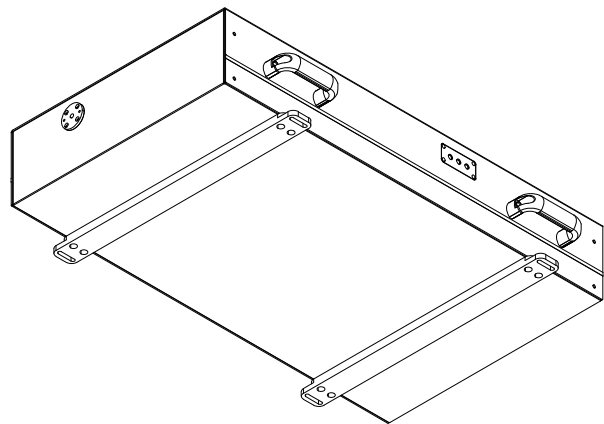
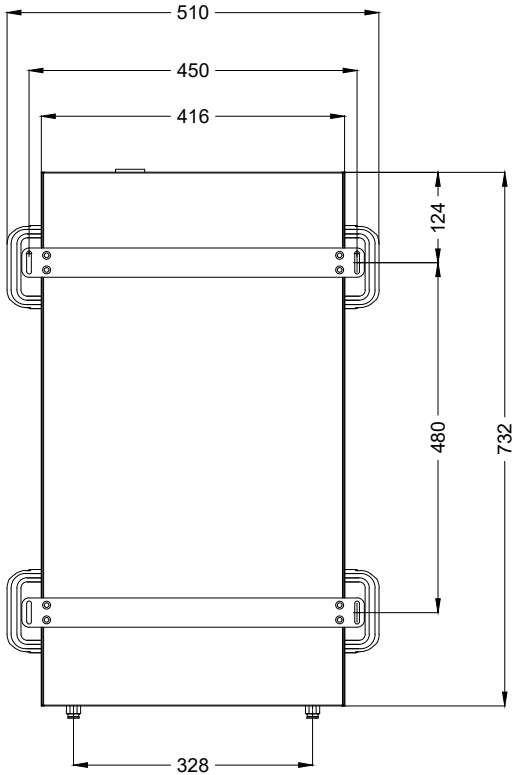
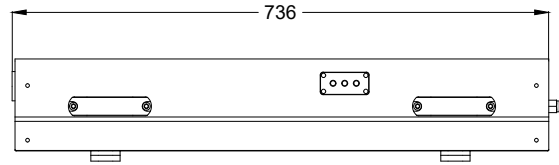
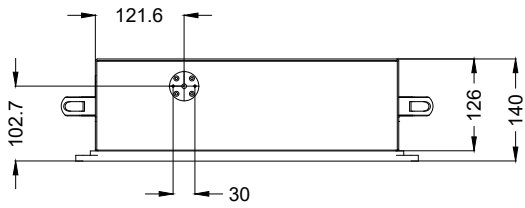


Wavelength	1064 nm	Cooling method	Water
Nominal output power	20 W @ 400 kHz	Cooling flowrate	4.5 l/min
Laser operation mode	Pulsed	Cooling power	1 kW
Beam quality (\leq)	1.3 M ²	Supply voltage DC	24 V
Pulse frequency	1 Hz – 2 MHz	Current consumption	25 A
Max. peak pulse power	5000 kW	Power consumption @ 20°C	600 W
Pulse width	10 ps @ 400 kHz	Operation temperature	10 – 35 °C
Max. pulse energy	50 µJ @ 400 kHz	Storage temperature	-15 – 50 °C
Power instability Ø	2%	Mechanical dimensions (W × D × H)	732× 416 × 140 mm
Polarization	Horizontal	Net weight	55 kg
Beam diameter D4σ	1.5 mm		

Product customizations are possible on request.

Information is subject to change without notice. Product photos are non-binding and may show customized features.





Laser product
Class 4

JPT

Manufacturer

DPSS pico laser

PS-IR-20-W-AIO

Dimensions are given in millimeters and are intended as reference values.
Binding information is available on request.

