

DPSS PICO LASER

# PS-IR-30-W-A10

en | Data sheet | 1.1

- Economical 30 Watt ps-laser
- Ultra-short pulse widths < 10 ps at 1064 nm
- Brilliant optical characteristics
- Extremely high pulse peak power



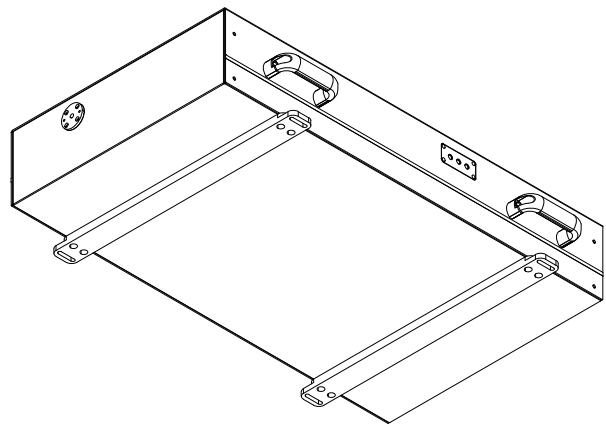
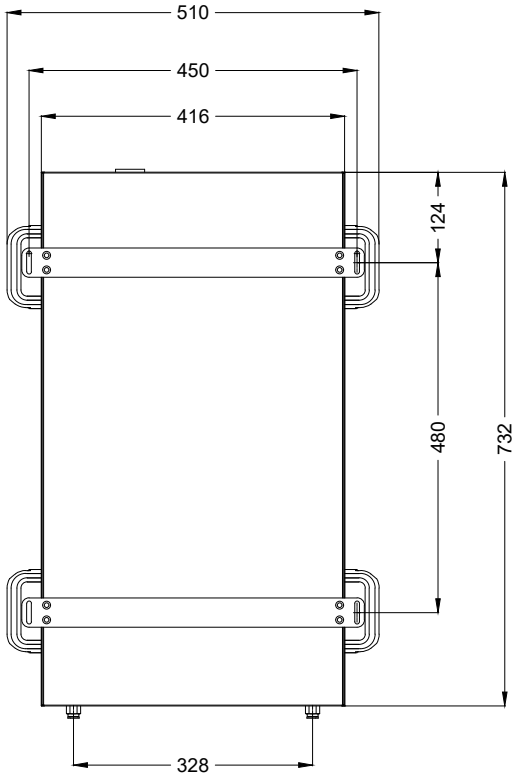
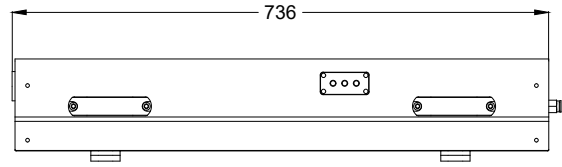
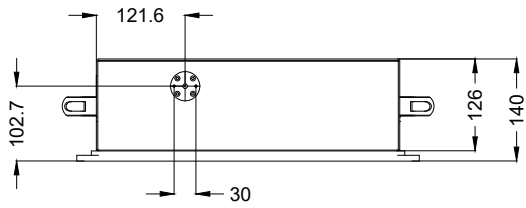
Wavelength	1064 nm
Nominal output power	30 W @ 400 kHz
Laser operation mode	Pulsed
Beam quality ( $M^2$ )	1.3 $M^2$
Pulse frequency	1 Hz – 1 MHz
Max. peak pulse power	7500 kW
Pulse width	10 ps @ 400 kHz
Max. pulse energy	75 $\mu$ J @ 400 kHz
Power instability $\emptyset$	2%
Polarization	Horizontal
Beam diameter D4 $\sigma$	1.5 mm

Cooling method	Water
Cooling flowrate	5 l/min
Cooling power	0.6 kW
Supply voltage DC	24 V
Current consumption	25 A
Power consumption @ 20°C	600 W
Operation temperature	15 – 35 °C
Storage temperature	-15 – 50 °C
Mechanical dimensions (W x D x H)	416 x 732 x 140 mm
Net weight	55 kg

Product customizations are possible on request.

Information is subject to change without notice. Product photos are non-binding and may show customized features.





**JPT**

Manufacturer

DPSS pico laser

PS-IR-30-W-AIO

Dimensions are given in millimeters and are intended as reference values.  
Binding information is available on request.

